

# HAKA 78/57W tunnel

Technical data  
Version 2019/08

	operation when directly connected to chimney	
	HAKA 78/57WT(h)	HAKA 78/57WT(h)+
Energy label	<b>A+</b>	<b>A+</b>
<b>Operating data</b>		
Nominal heat power / Power absorbed to water	13,5 / 6 kW	21 / 7,5 kW
Efficiency	> 80 %	> 80 %
Consumption of wood	4 kg/h	6,1 kg/h
Mass flow of flue gas	17 g/s	21 g/s
Required chimney pressure	12 Pa	12 Pa
Required amount of combustion air	40 m <sup>3</sup> /h	60 m <sup>3</sup> /h
<b>Average flue gas temperature</b>		
on the output	194 °C	226 °C
<b>Heat distribution</b>		
fireplace insert	20 %	24 %
door glass (single / double)	0 / 35 %	0 / 40 %
water	45 %	36 %
<b>Water exchanger specifications</b>		
Maximum working pressure	2,5 bar	2,5 bar
Minimum return water temperature	55 °C	55 °C
Water capacity	45 liter	45 liter
Connection input / output	1 / 1 G	1 / 1 G
<b>Information for builds</b>		
Minimal grill area supply / outgoing (with vent. grill)	350 / 400 cm <sup>2</sup>	600 / 700 cm <sup>2</sup>
Minimum radiant area <sup>3</sup> (without vent. grill)	2 m <sup>2</sup>	3,5 m <sup>2</sup>
Minimum distance from insulated areas / floor	40 / 0 mm	40 / 0 mm
Reference insulation <sup>1</sup>		
ceiling / back wall / side wall / floor	100 / - / 60 / 0 mm	120 / - / 80 / 0 mm
Calciumsilicate insulation <sup>2</sup>		
ceiling / back wall / side wall / floor	75 / 0 / 45 / 0 mm	90 / - / 60 / 0 mm
<b>General technical information</b>		
Total weight / lining weight	ca. 410 / 94 kg	ca. 410 / 94 kg
Burning chamber dimensions (width x depth)	705 x 305 mm	
Combustion air connection	Ø 125 mm	Ø 150 mm
Use in non-ventilated accumulation builds according to craft rules	suitable	
Tested according to	EN 13229	
Meets values	1. BlmSchV (Stufe2), 15a BVG	

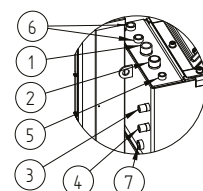
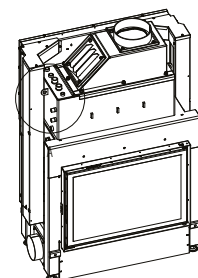
Nr.	Thread size	Description
1	G 1" (AG)	Water supply from heating system - min. 55°C
2	G 1" (AG)	Hot water supply to heating system
3	G 1/2" (AG)	Water supply from the waterlines into the cooling loop
4	G 1/2" (AG)	Discharge of water from the cooling loop into the waste
5	G 3/8" (IG)	Pocket for air vent valve
6	G 1/2" (IG)	Pocket for thermal sensors
7	G 1/2" (IG)	Discharge valve

1 Mineral wool according to AGI-Q 132

2 Example SkamoEnclousure Board 225 kg/m<sup>3</sup>

3 Depends on accumulation period and material characteristics.

Listed values calculated with chamotte stone thickness 30 mm with radiant area 500 W/m<sup>2</sup>

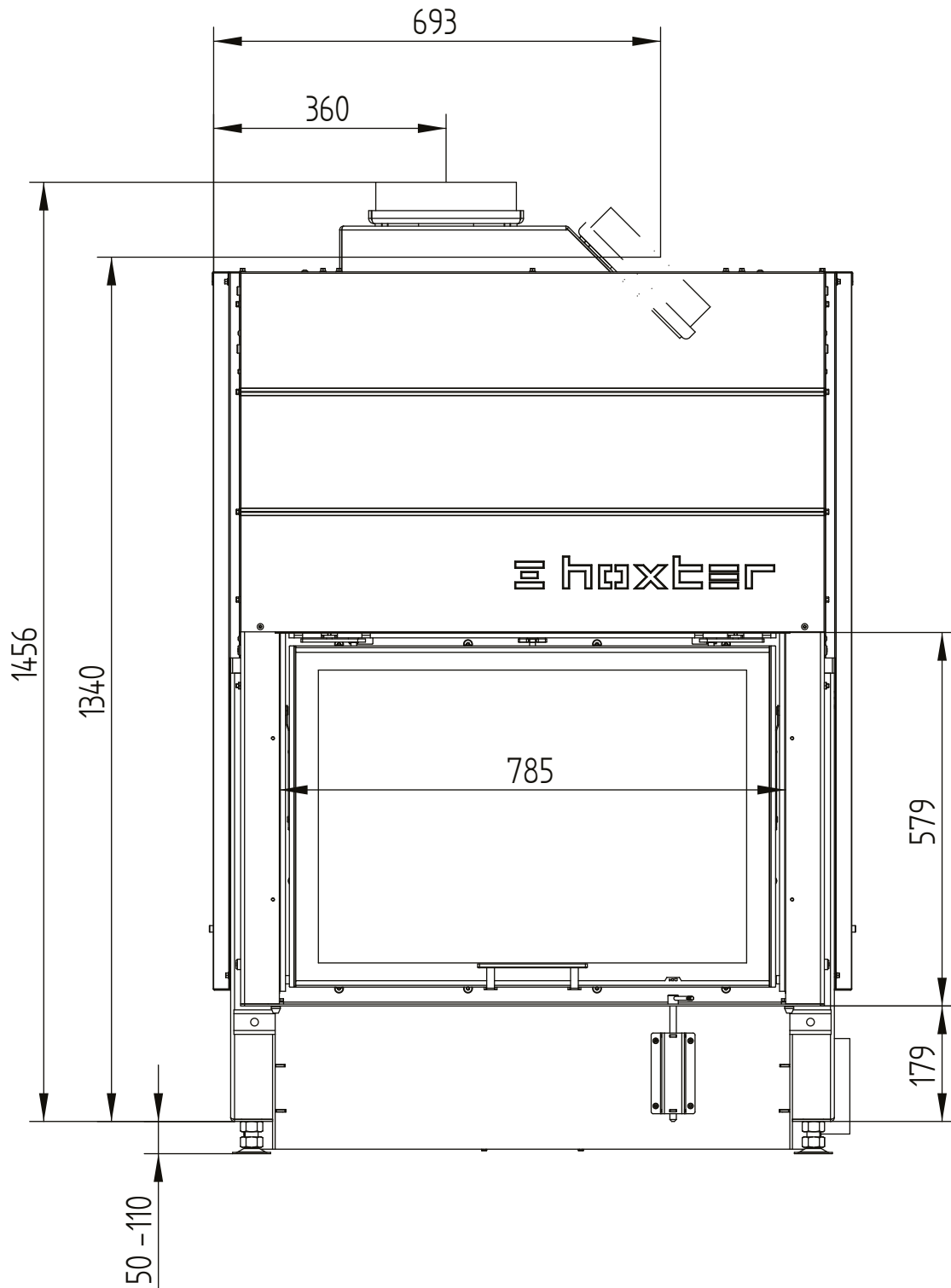


# HAKA 78/57W tunnel

Technical data  
Version 2019/08

HAKA 78/57W, HAKA 78/57W+ execution liftdoor / side opening (A)  
/ air intake / feet

M 1:10

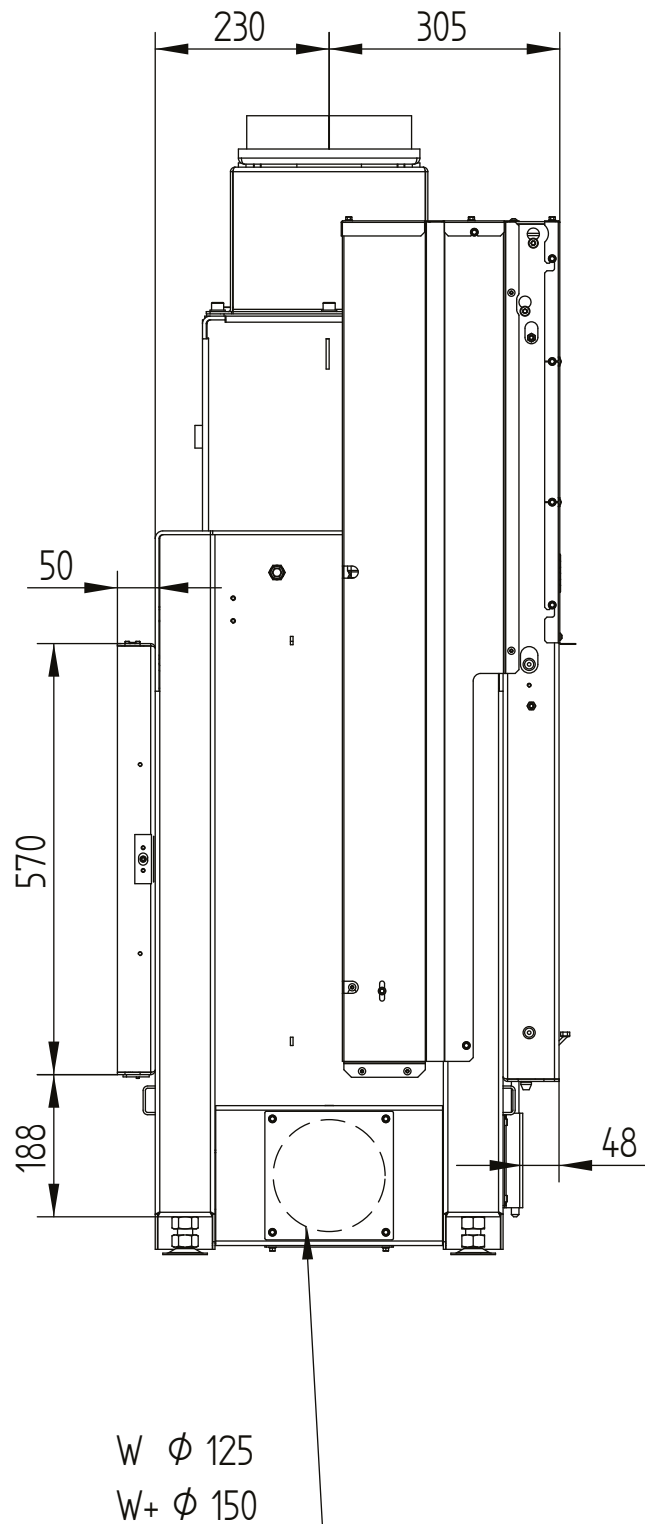


# HAKA 78/57W tunnel

Technical data  
Version 2019/08

HAKA 78/57W, HAKA 78/57W+ execution liftdoor / side opening (A)  
/ air intake / feet

M 1:10

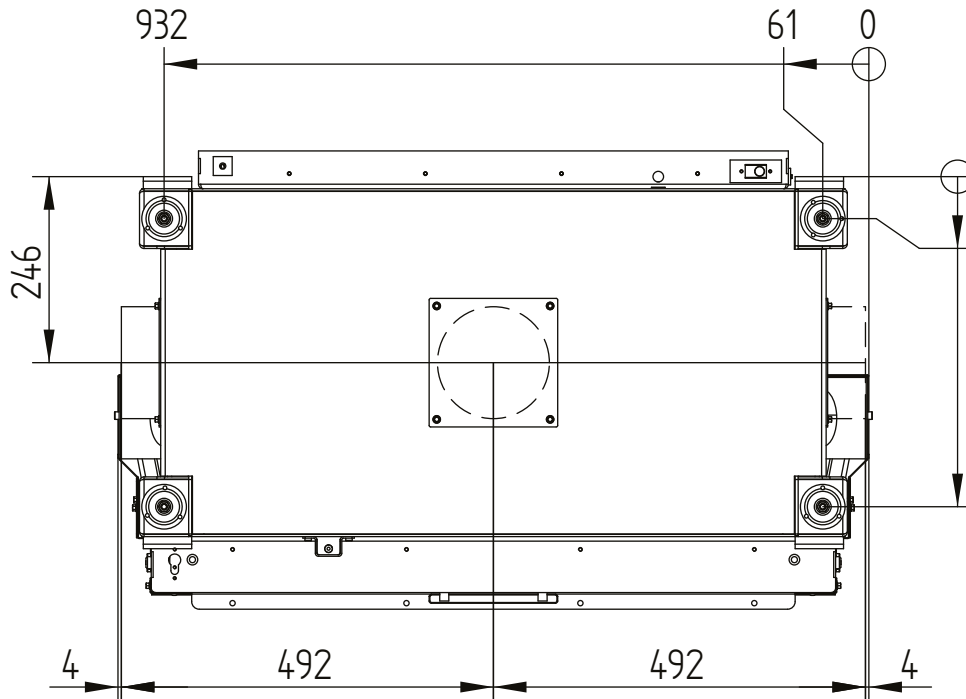
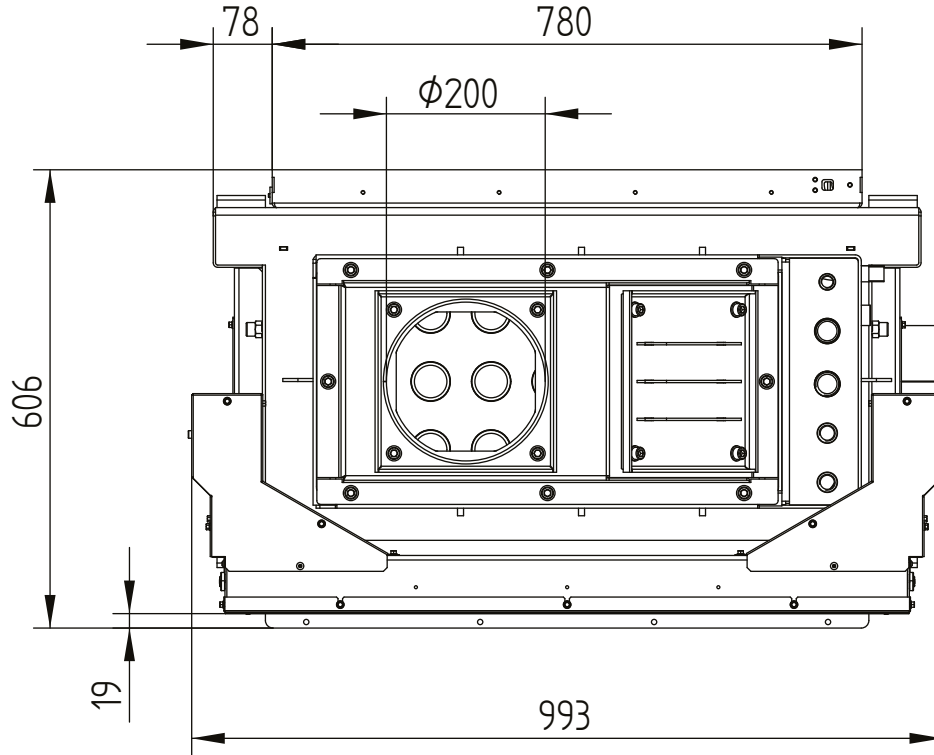


# HAKA 78/57W tunnel

Technical data  
Version 2019/08

HAKA 78/57W, HAKA 78/57W+ execution liftdoor / side opening (A)  
/ air intake / feet

M 1:10

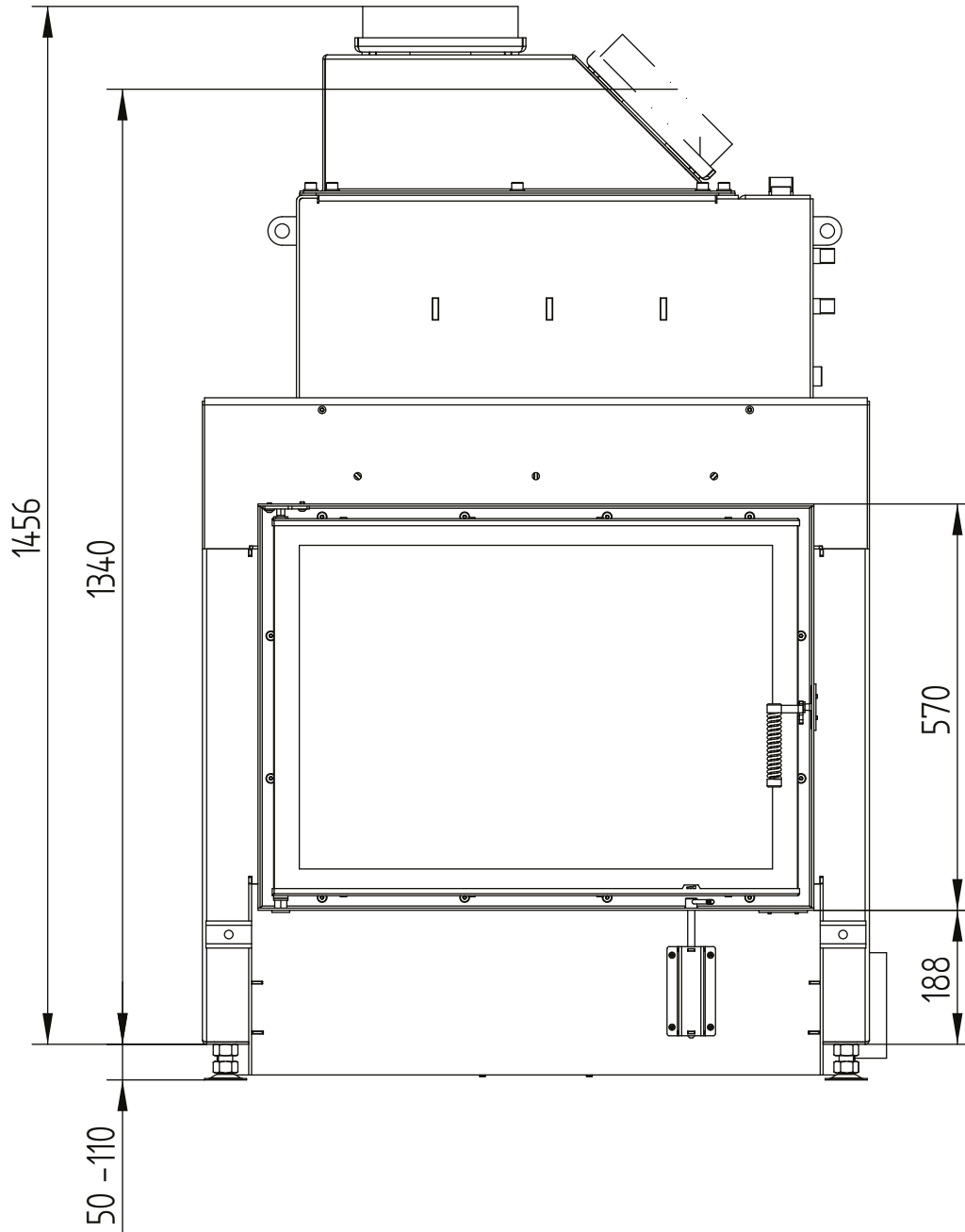


# HAKA 78/57W tunnel

Technical data  
Version 2019/08

HAKA 78/57W, HAKA 78/57W+ execution side opening / side opening (B)  
/ air intake / feet

M 1:10

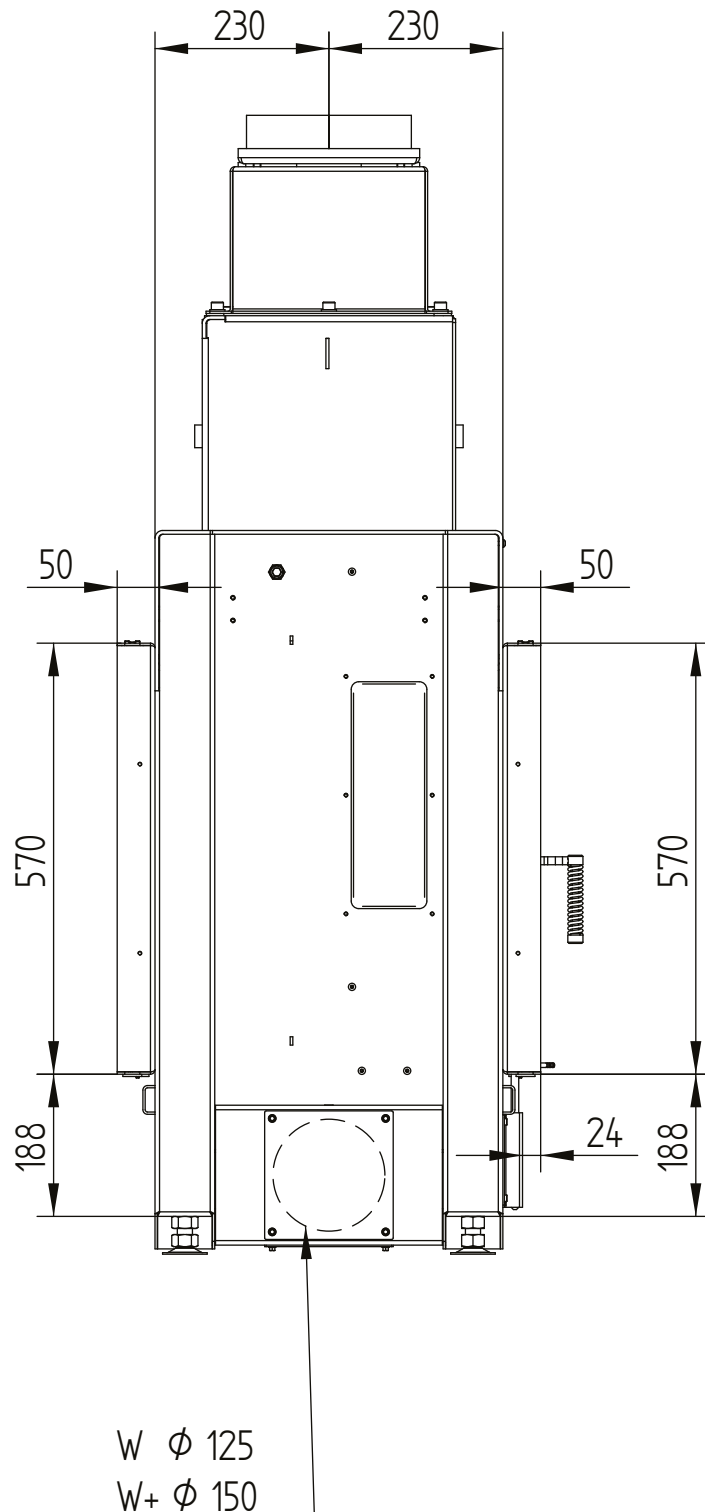


# HAKA 78/57W tunnel

Technical data  
Version 2019/08

HAKA 78/57W, HAKA 78/57W+ execution side opening / side opening (B)  
/ air intake / feet

M 1:10

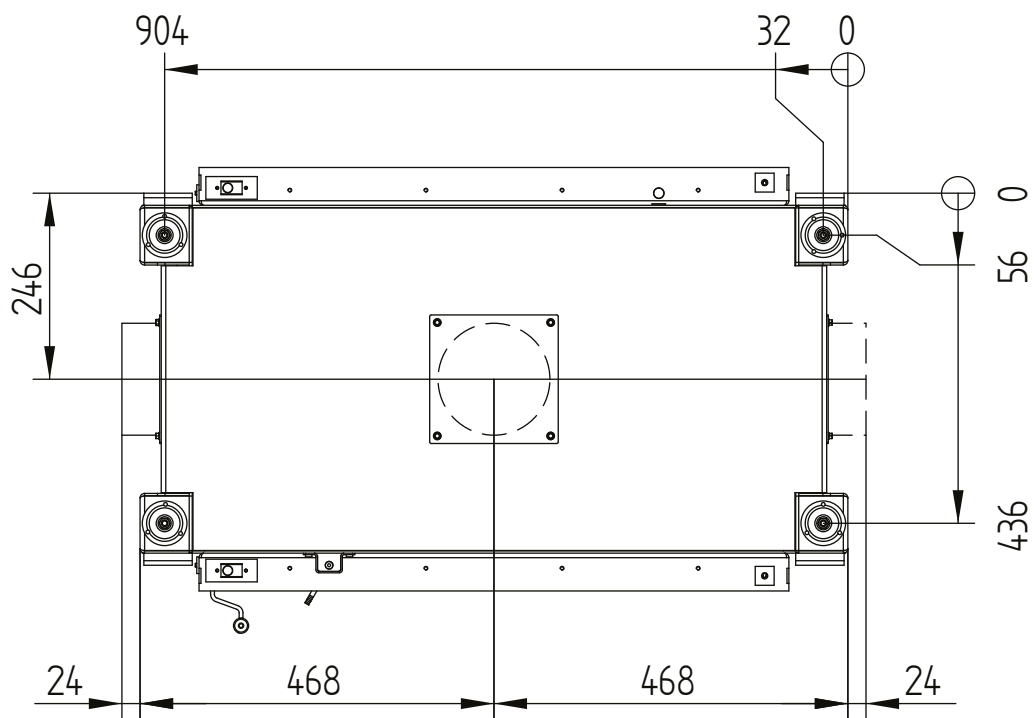
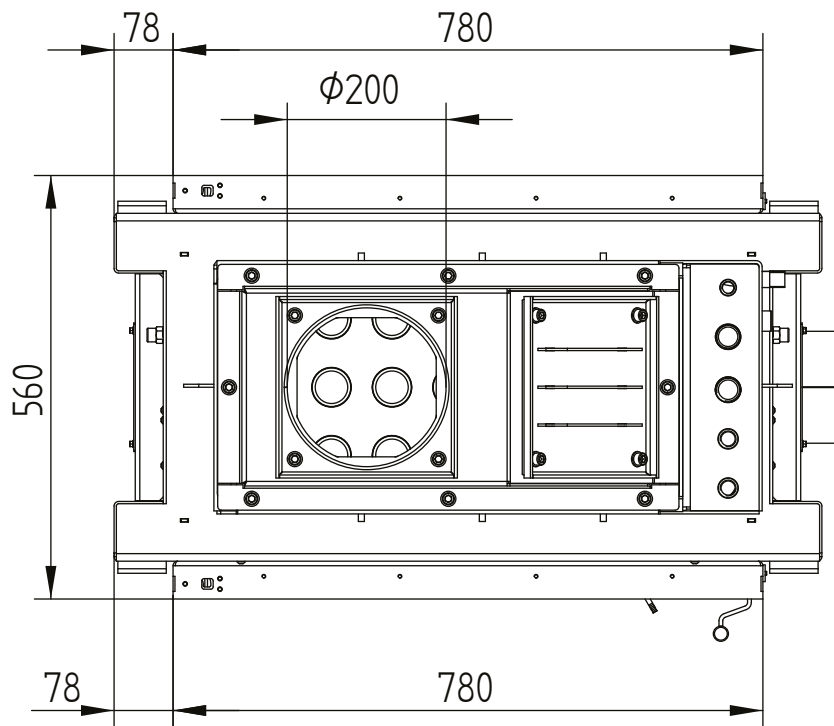


# HAKA 78/57W tunnel

Technical data  
Version 2019/08

HAKA 78/57W, HAKA 78/57W+ execution side opening / side opening (B)  
/ air intake / feet

M 1:10

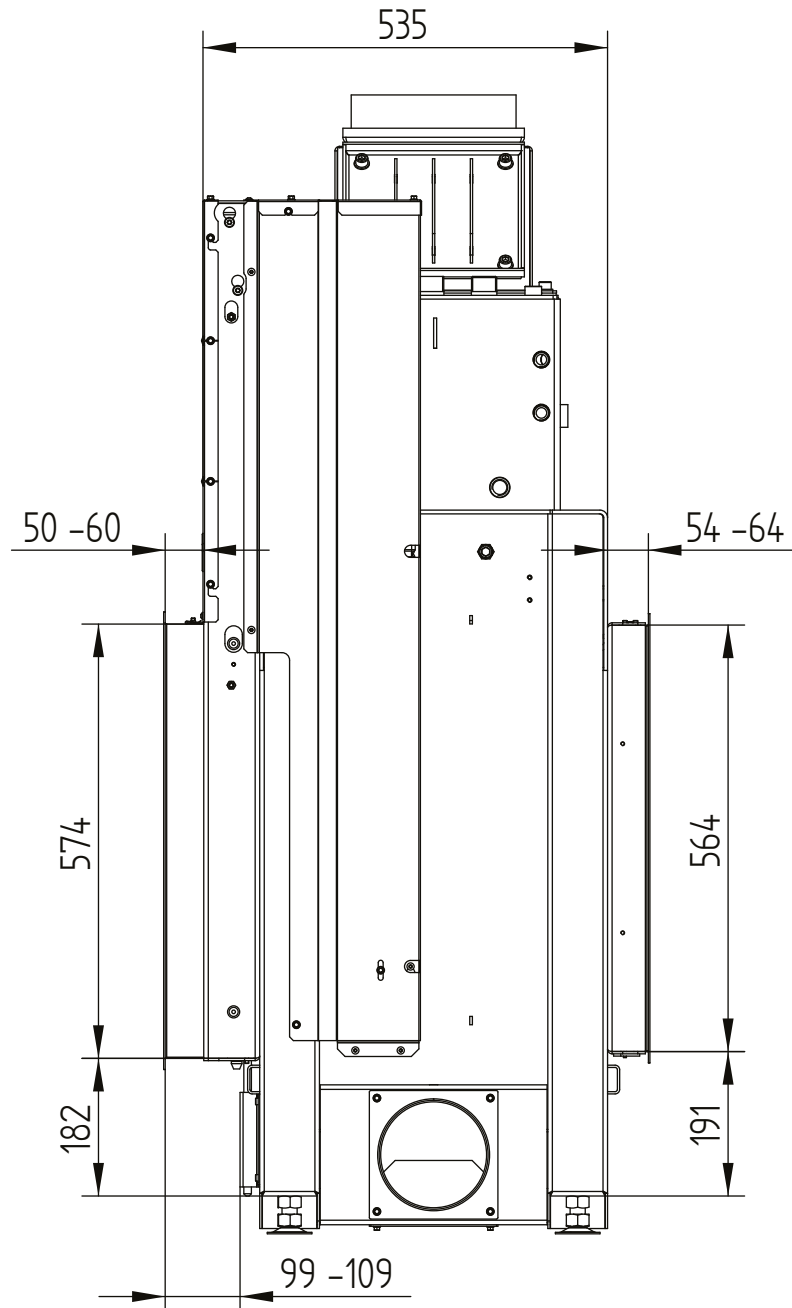


# HAKA 78/57W tunnel

Technical data  
Version 2019/08

cover frame 78/57h 4sides 50 mm 1 x 90°

M 1:10



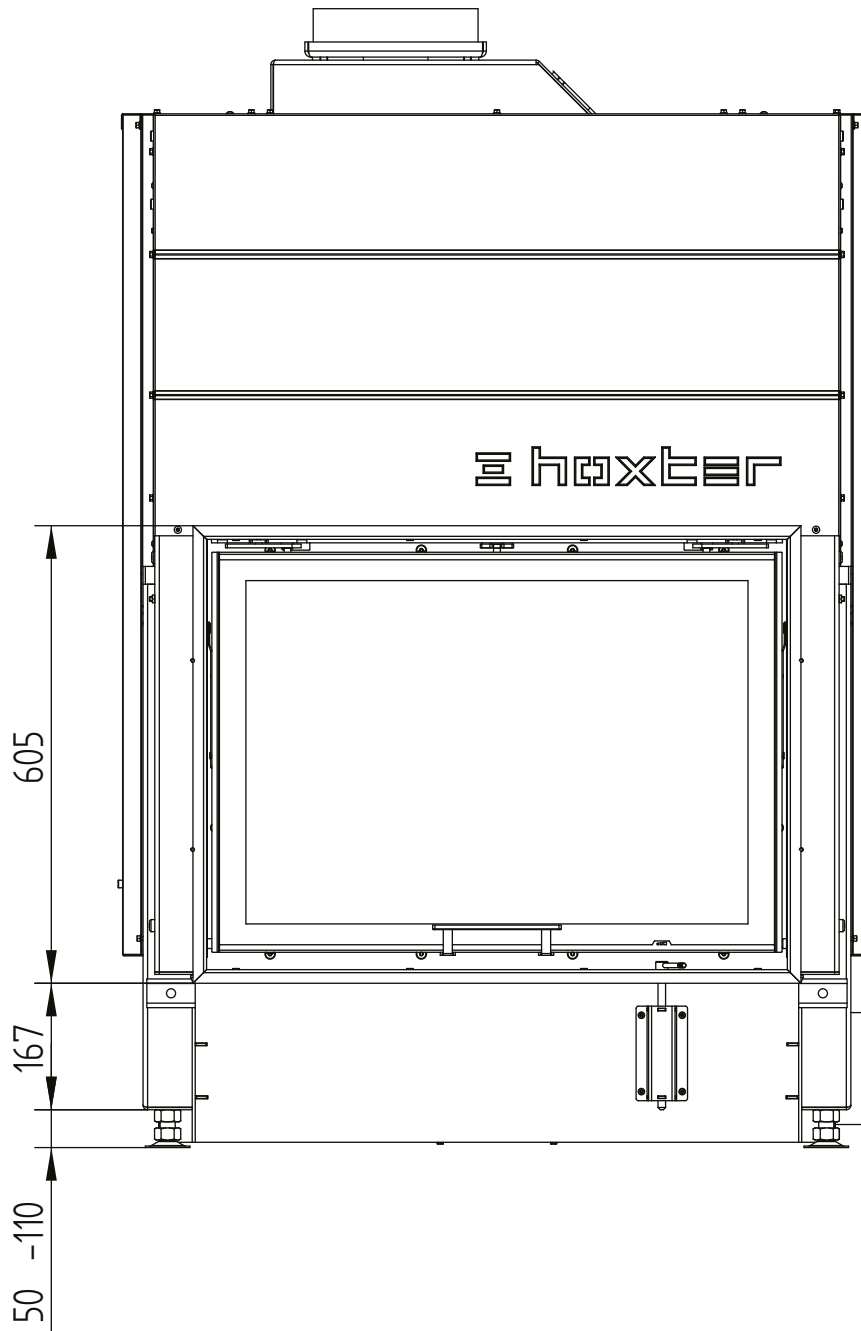


# HAKA 78/57W tunnel

Technical data  
Version 2019/08

cover frame 78/57h 4sides 50 mm 1 x 90°

M 1:10

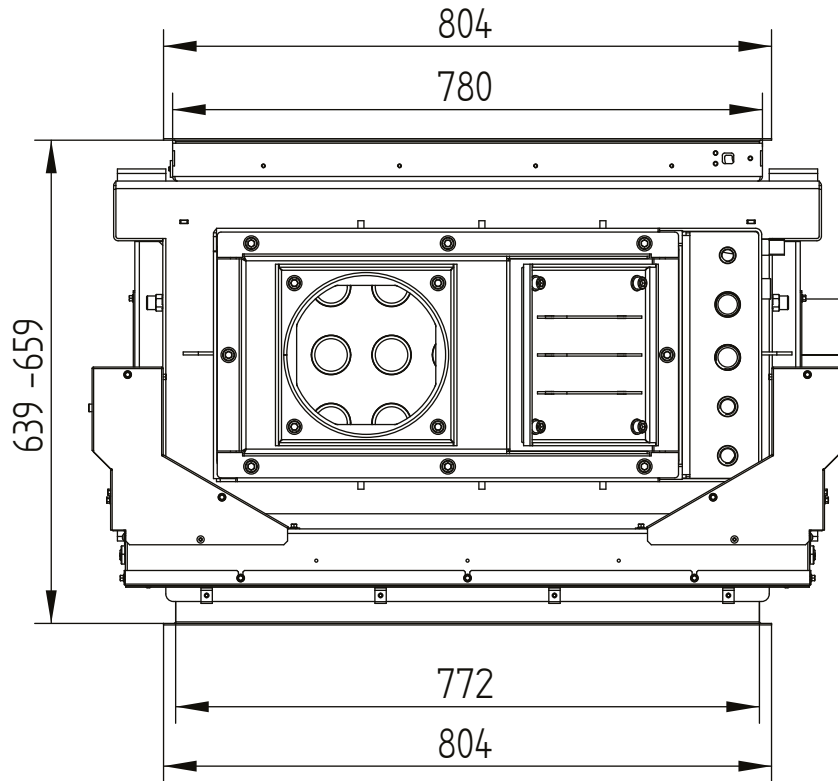


# HAKA 78/57W tunnel

Technical data  
Version 2019/08

cover frame 78/57h 4sides 50 mm 1 x 90°

M 1:10

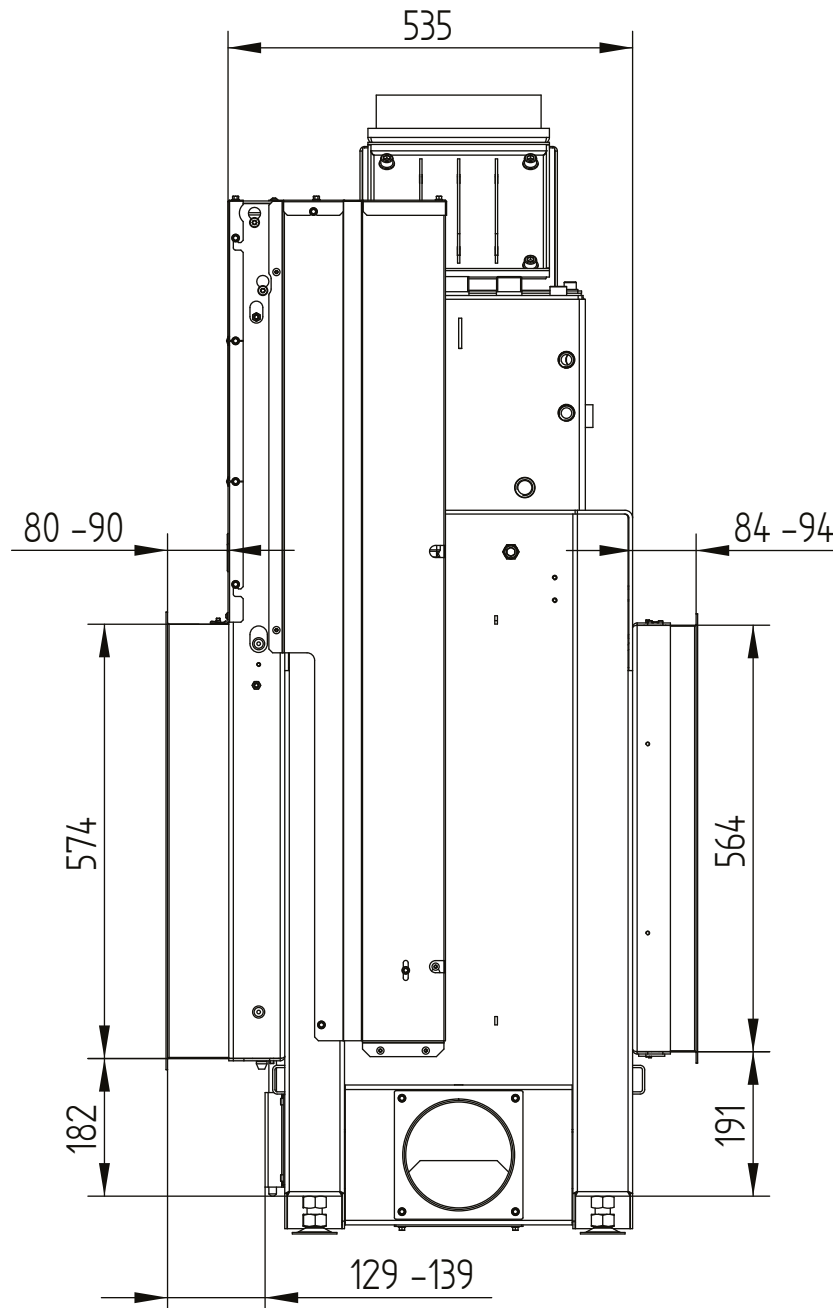


# HAKA 78/57W tunnel

Technical data  
Version 2019/08

cover frame 78/57h 4sides 80 mm 1 x 90°

M 1:10

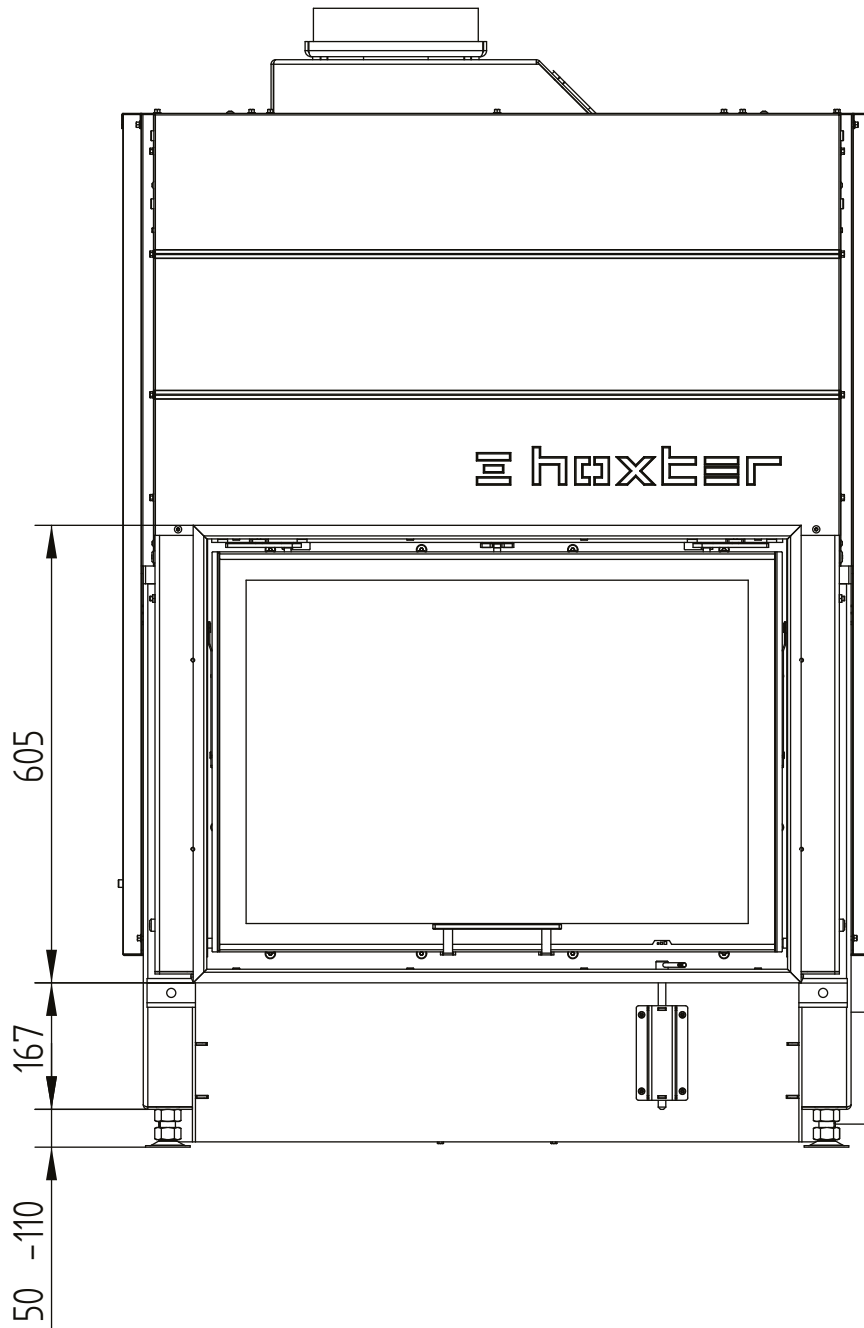


# HAKA 78/57W tunnel

Technical data  
Version 2019/08

cover frame 78/57h 4sides 80 mm 1 x 90°

M 1:10



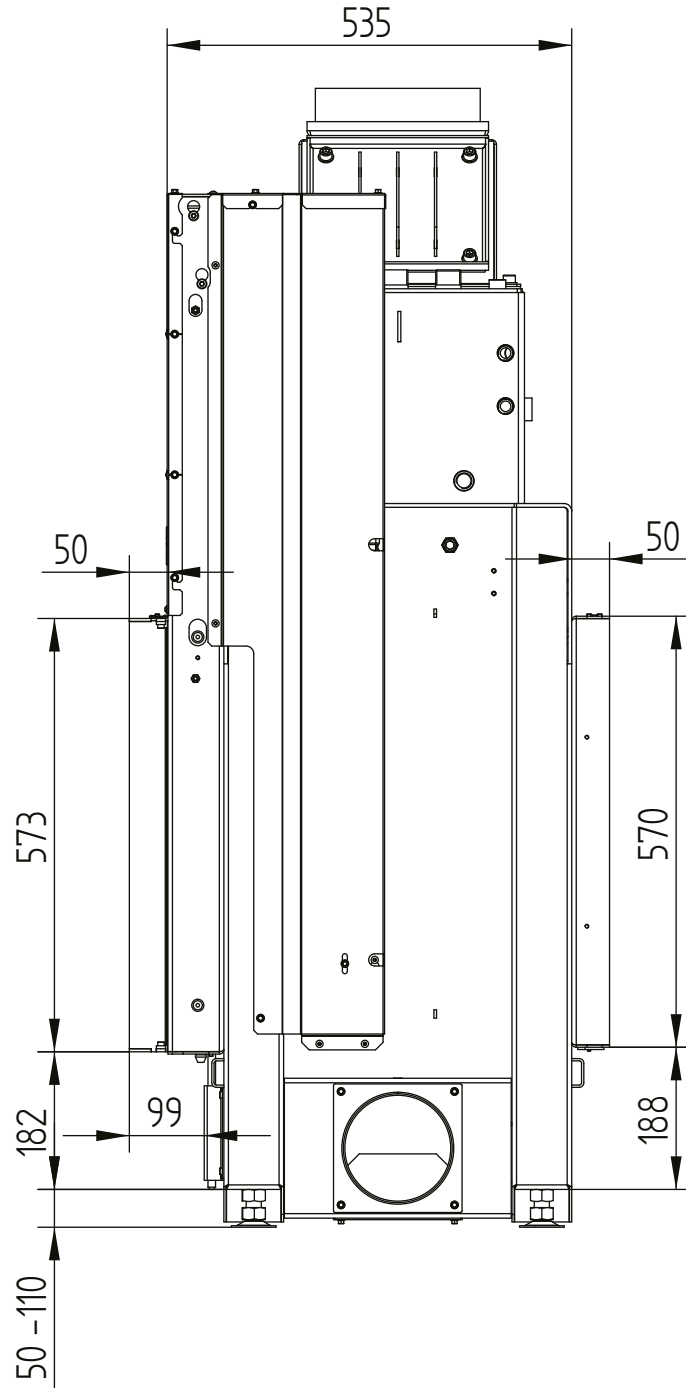


# HAKA 78/57W tunnel

Technical data  
Version 2019/08

build-on frame 78/57h 4sides 50 mm

M 1:10

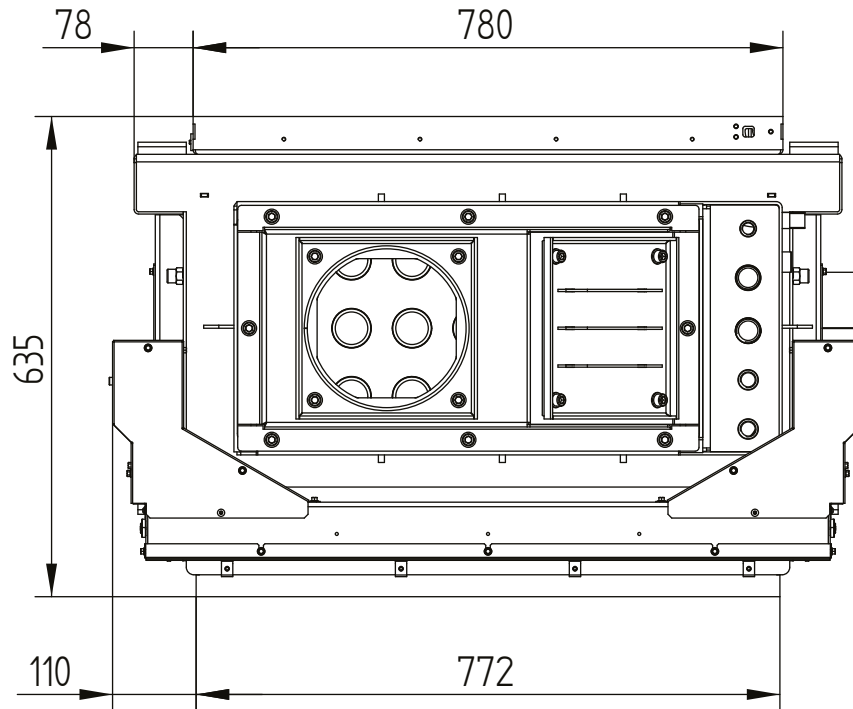


# HAKA 78/57W tunnel

Technical data  
Version 2019/08

build-on frame 78/57h 4sides 50 mm

M 1:10

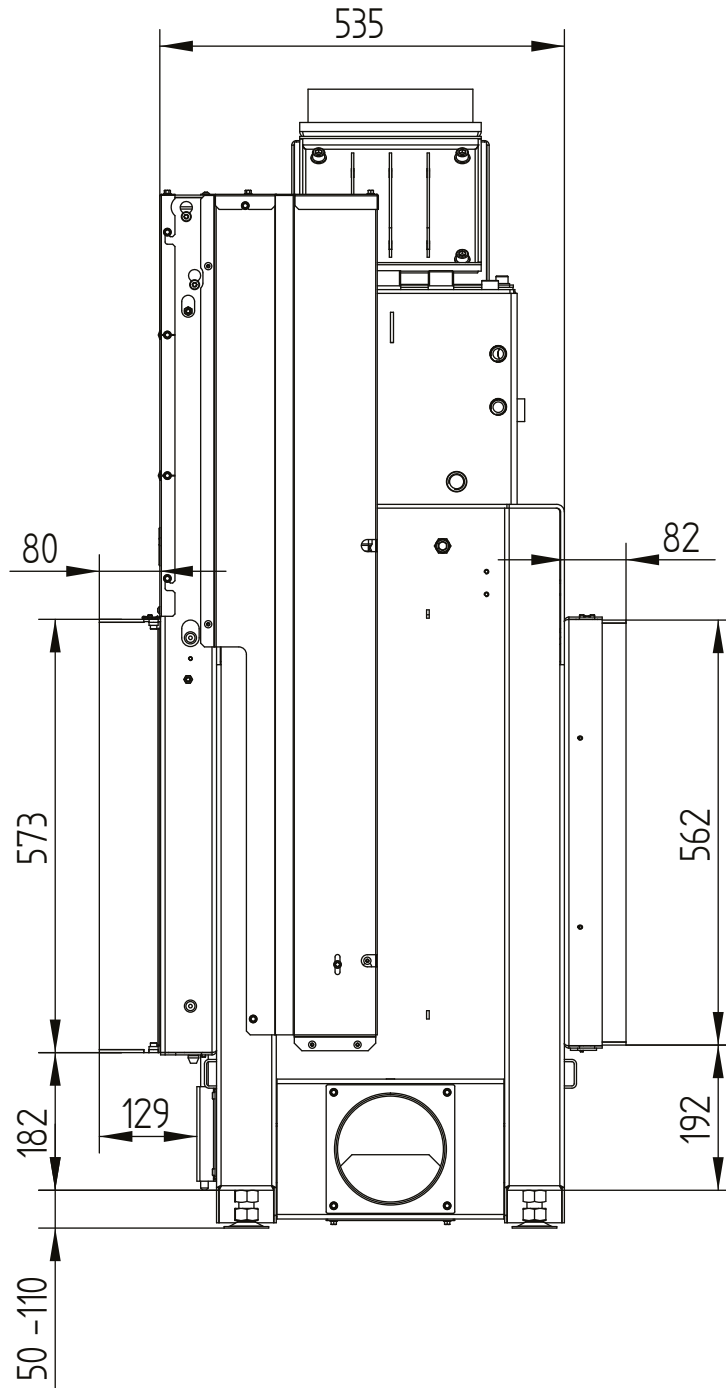


# HAKA 78/57W tunnel

Technical data  
Version 2019/08

build-on frame 78/57h 4sides 80 mm

M 1:10





# HAKA 78/57W tunnel

Technical data  
Version 2019/08

build-on frame 78/57h 4sides 80 mm

M 1:10

