

HAKA 63/51W tunnel

Technical data

Version 2019/08

	operation when directly connected to chimney
	HAKA 63/51W
Energy label	A+
Operating data	
Nominal heat power / Power absorbed to water	14,5 / 8,1 kW
Efficiency	> 80 %
Consumption of wood	4 kg/h
Mass flow of flue gas	11 g/s
Required chimney pressure	12 Pa
Required amount of combustion air	45 m ³ /h
Average flue gas temperature	
on the output	214 °C
Heat distribution	
fireplace insert	13 %
door glass (single / double)	0 / 31 %
water	56 %
Water exchanger specifications	
Maximum working pressure	2,5 bar
Minimum return water temperature	55 °C
Water capacity	52 liter
Connection input / output	1 / 1 G
Information for builds	
Minimal grill area supply / outgoing (with vent. grill)	250 / 350 cm ²
Minimum radiant area ³ (without vent. grill)	2 m ²
Minimum distance from insulated areas / floor	40 / 0 mm
Reference insulation ¹ ceiling / back wall / side wall / floor	100 / - / 60 / 0 mm
Calciumsilicate insulation ² ceiling / back wall / side wall / floor	75 / - / 45 / 0 mm
General technical information	
Total weight / lining weight	ca. 303 / 81 kg
Burning chamber dimensions (width x depth)	525 x 315 mm
Combustion air connection	Ø 150 mm
Use in non-ventilated accumulation builds according to craft rules	suitable
Tested according to	EN 13229
Meets values	1. BlmSchV (Stufe2), 15a BVG

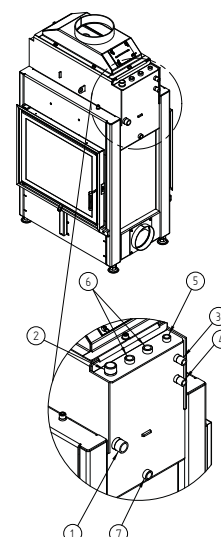
Nr.	Thread size	Description
1	G 1" (AG)	Water supply from heating system - min. 55°C
2	G 1" (AG)	Hot water supply to heating system
3	G 1/2" (AG)	Water supply from the waterlines into the cooling loop
4	G 1/2" (AG)	Discharge of water from the cooling loop into the waste
5	G 3/8" (IG)	Pocket for air vent valve
6	G 1/2" (IG)	Pocket for thermal sensors
7	G 1/2" (IG)	Discharge valve

1 Mineral wool according to AGI-Q 132

2 Example SkamoEnclousure Board 225 kg/m³

3 Depends on accumulation period and material characteristics.

Listed values calculated with chamotte stone thickness 30 mm with radiant area 500 W/m²



HOXTER GmbH | Hersbrucker Straße 23 | 91244 Reichenschwand | Germany | +49 (0)9151 8659 163 | info@hoxter.de

HOXTER a.s. | Jinacovice 512 | 664 34 Jinacovice | Czech republic | +420 518 777 701 | info@hoxter.eu

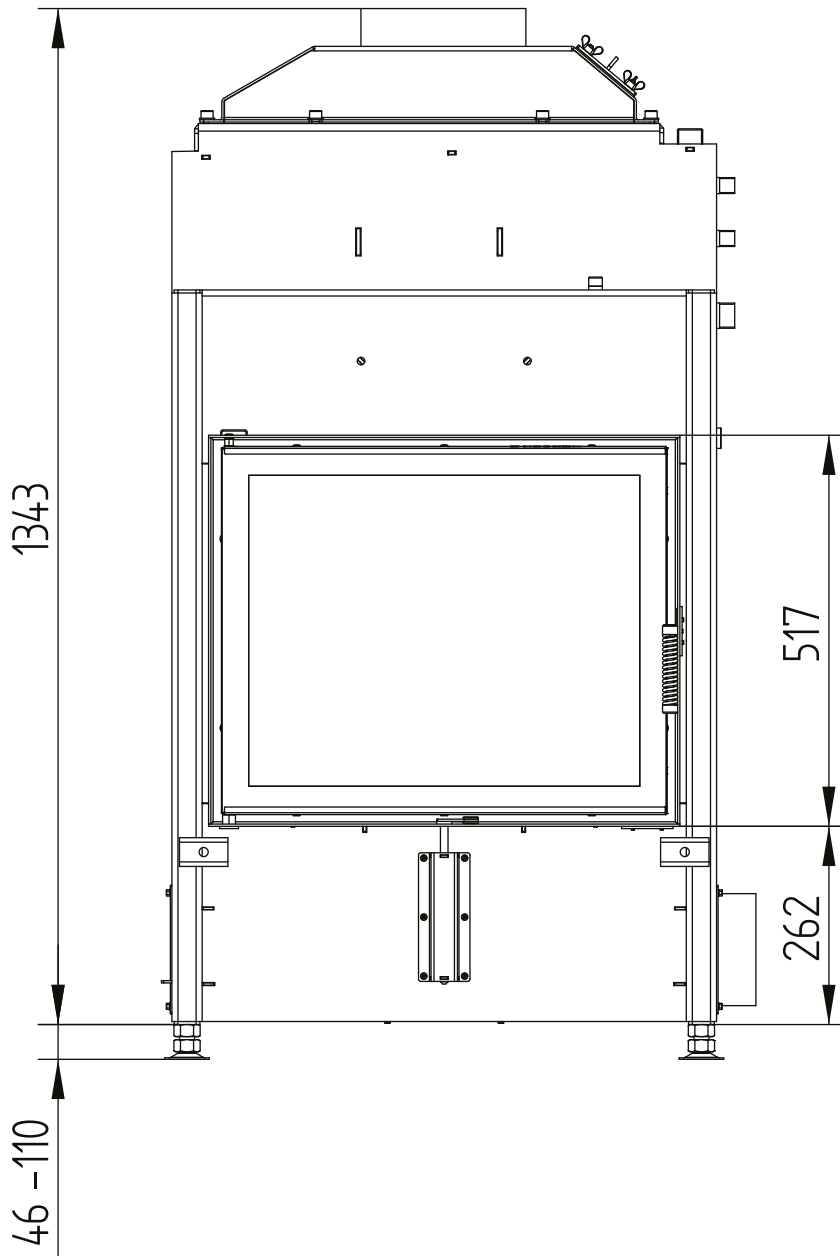
hoxter

HAKA 63/51W

Technical data
Version 2019/08

tunnel / air intake / feet

M 1:10

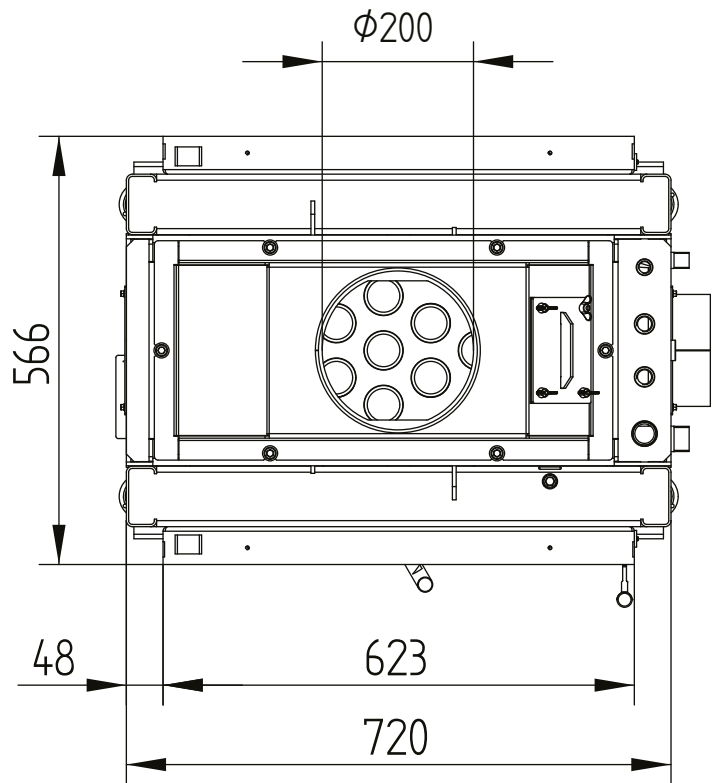
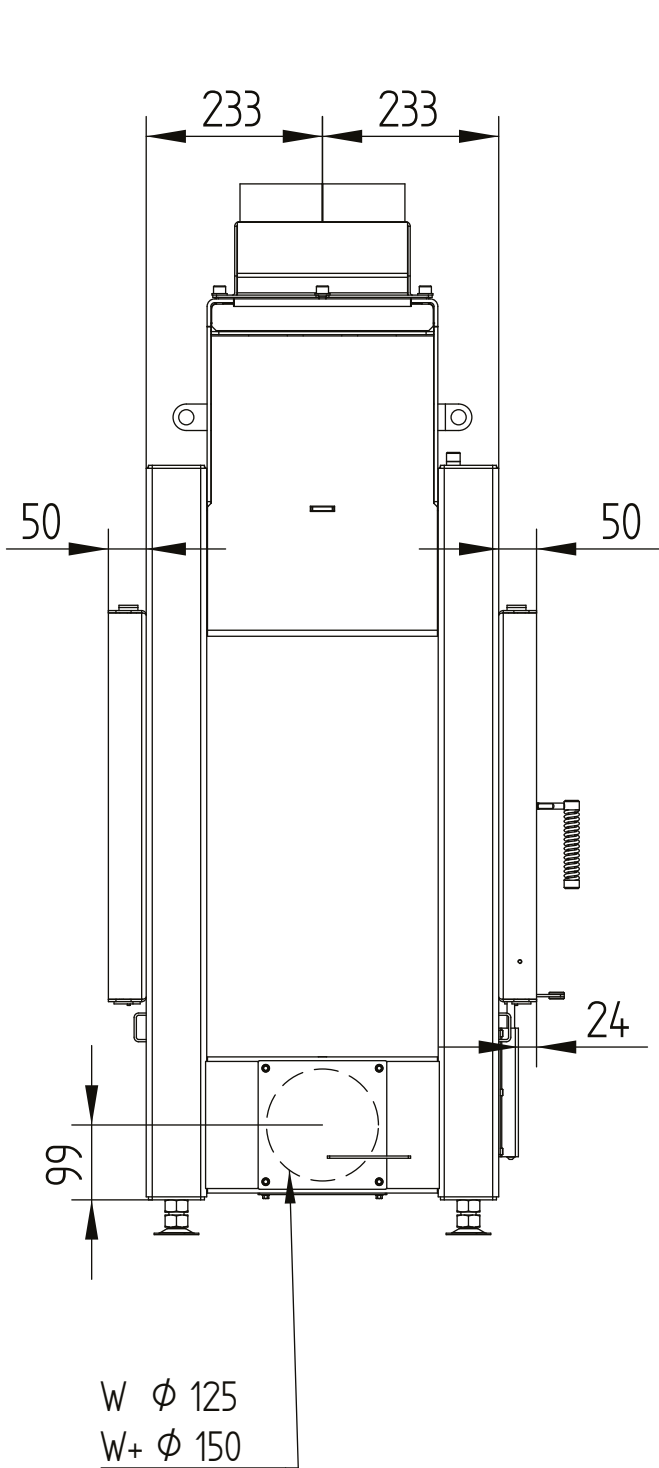


HAKA 63/51W

Technical data
Version 2019/08

tunnel / air intake / feet

M 1:10

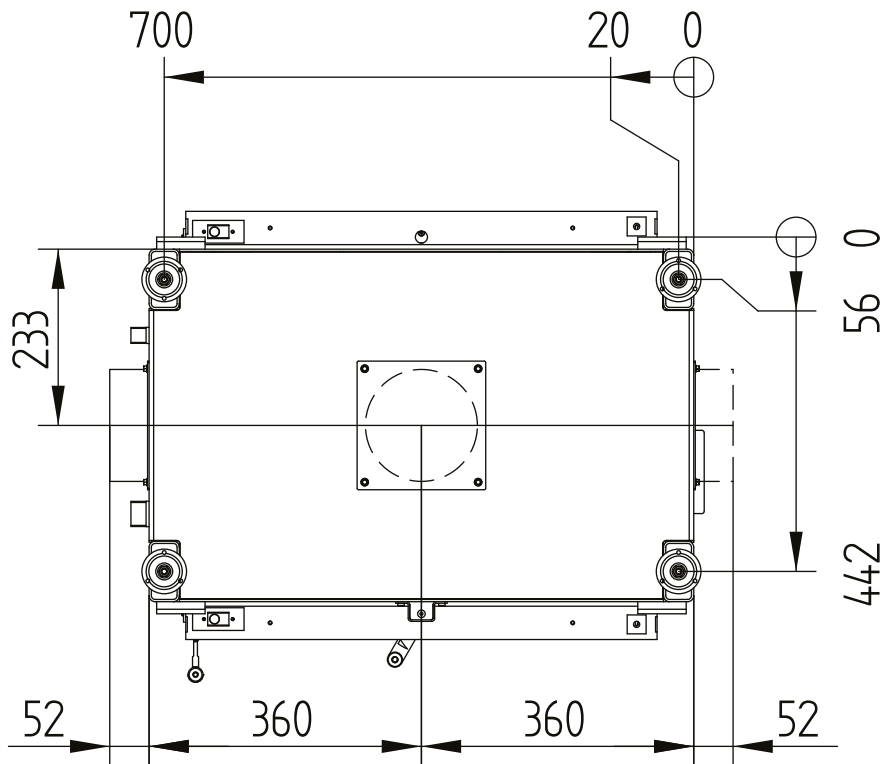


HAKA 63/51W

Technical data
Version 2019/08

tunnel / air intake / feet

M 1:10

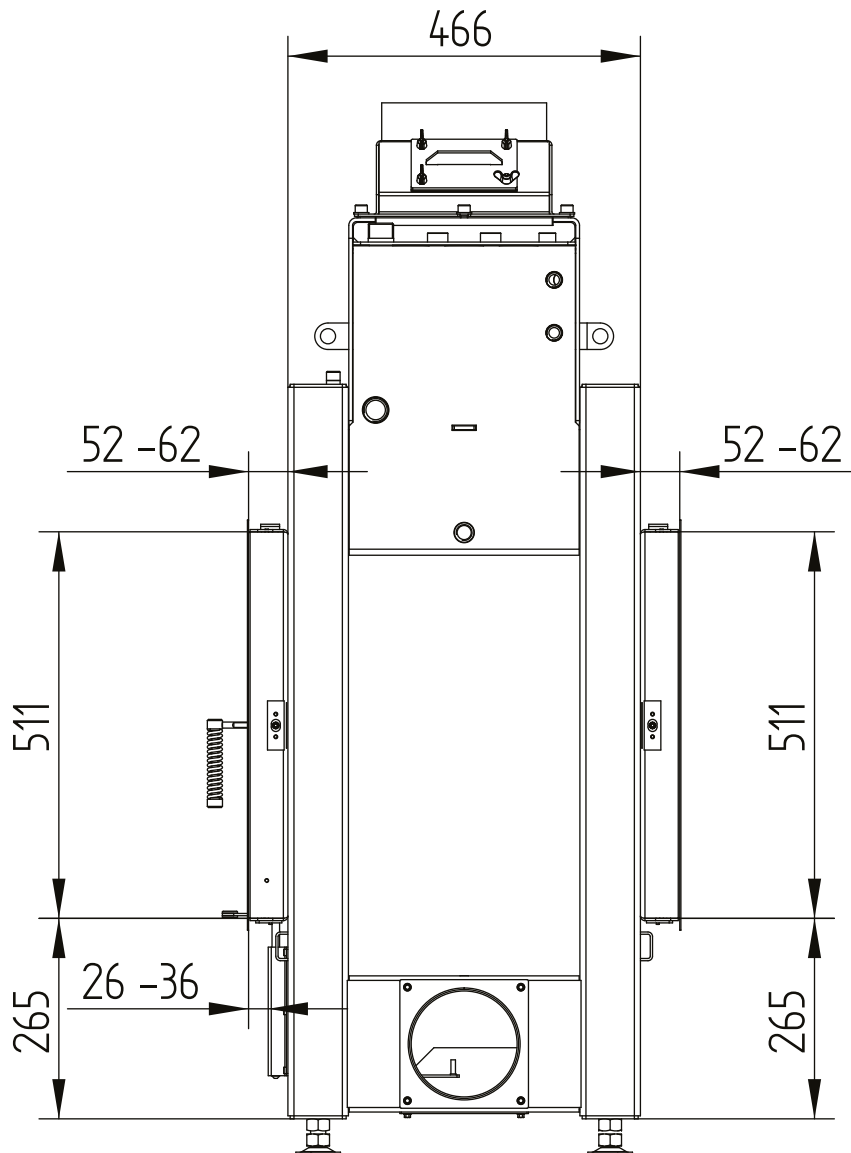


HAKA 63/51W

Technical data
Version 2019/08

cover frame 63/51 4sides 50 mm 1 x 90°

M 1:10

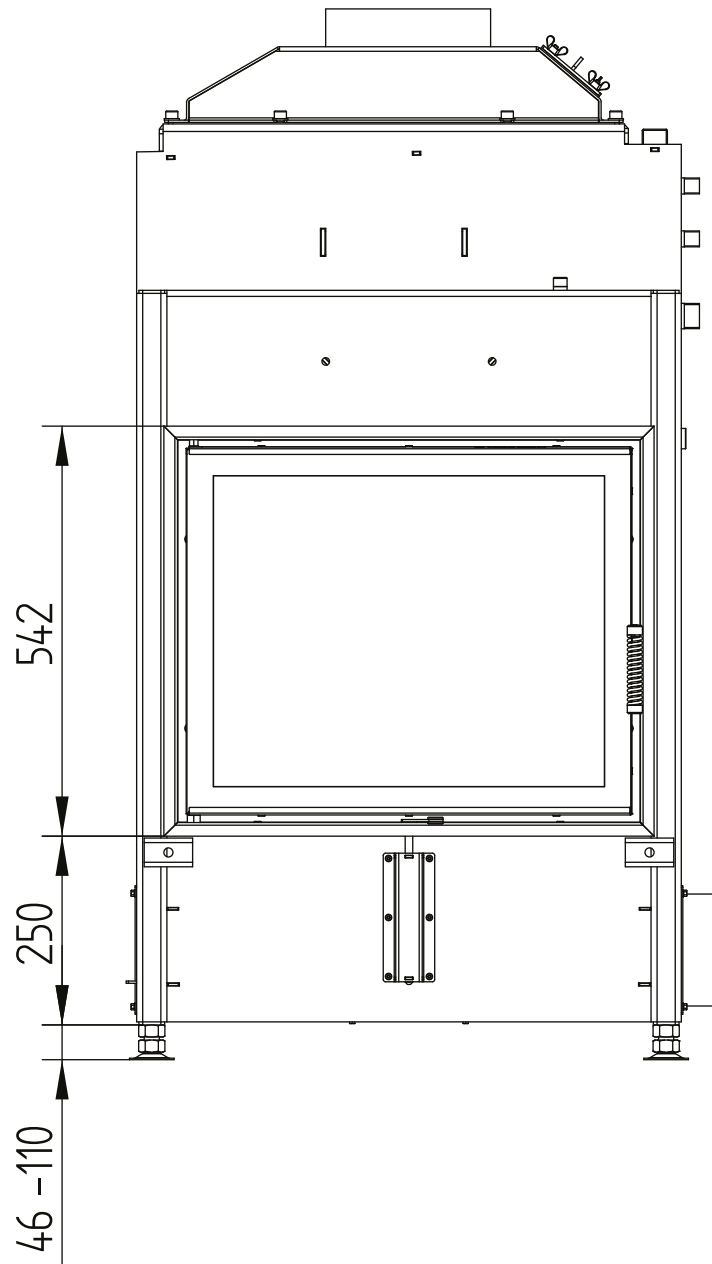


HAKA 63/51W

Technical data
Version 2019/08

cover frame 63/51 4sides 50 mm 1 x 90°

M 1:10

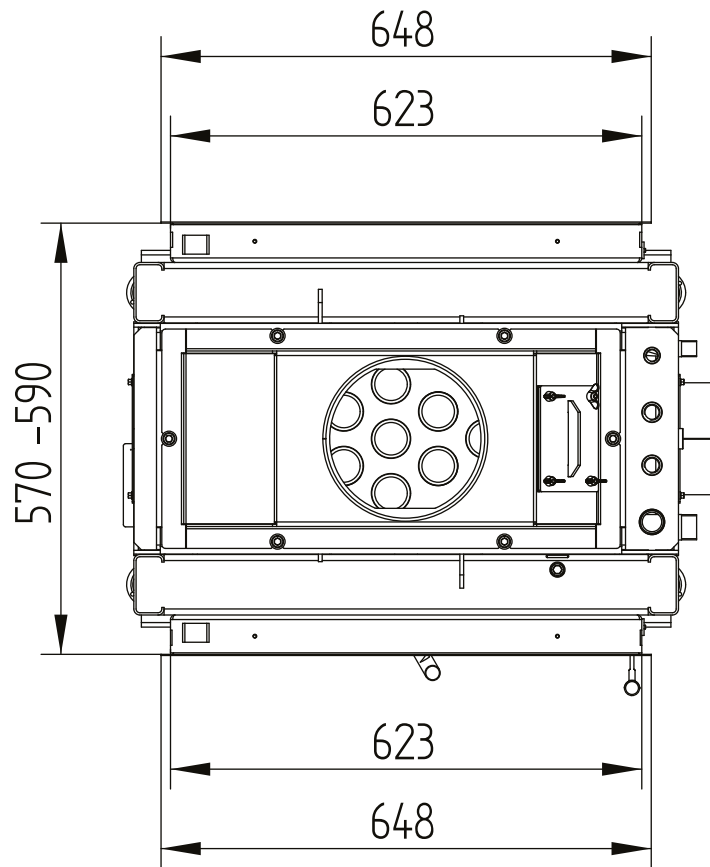


HAKA 63/51W

Technical data
Version 2019/08

cover frame 63/51 4sides 50 mm 1 x 90°

M 1:10

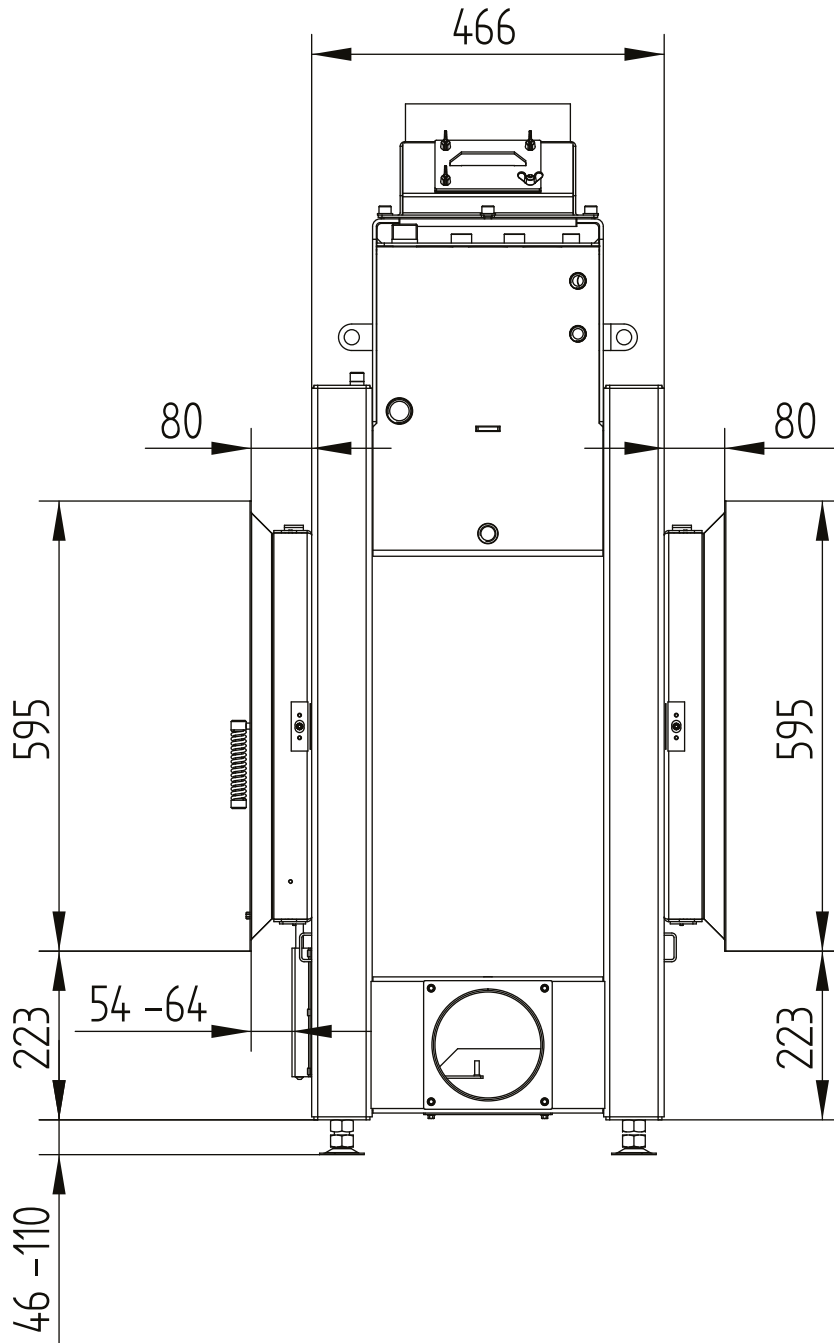


HAKA 63/51W

Technical data
Version 2019/08

cover frame 63/51 4sides 80 mm 2 x 45°

M 1:10



HAKA 63/51W

Technical data
Version 2019/08

cover frame 63/51 4sides 80 mm 2 x 45°

M 1:10

