

| | operation when directly connected to chimney | | operation when connected accumulation mass | |
|--|--|-------------------|--|----------------|
| | cupola | hot air exchanger | cupola | adaptor |
| Energy label | A | A+ | A+ | A+ |
| Operating data | | | | |
| Nominal heat power | 6 kW | 9 kW | ---- | ---- |
| Efficiency | > 80 % | > 80 % | ---- | ---- |
| Consumption of wood | 1,8 kg/h | 2,6 kg/h | 6 kg | 6 kg |
| Total heat output of the burning chamber | ---- | ---- | 24 kW | 24 kW |
| Mass flow of flue gas | 6,1 g/s | 7,5 g/s | 20 g/s | 20 g/s |
| Required chimney pressure | 12 Pa | 12 Pa | 12 Pa | 15 Pa |
| Required amount of combustion air | 20 m³/h | 25 m³/h | 60 m³/h | 60 m³/h |
| Average flue gas temperature | | | | |
| on the output | 232 °C | 255 °C | 414 °C | 423 °C |
| past 4 m of ceramic accumulation system KMS 300 ¹ | ---- | ---- | 181 °C | ---- |
| past accumulation rings (5x acc. ring Ø440mm) | ---- | ---- | ---- | 242 °C |
| Heat distribution | | | | |
| fireplace insert | 74–84 % | 74–84 % | 40 % | 34 % |
| door glass (single / double) | 26 / 16 % | 26 / 16 % | 26 / 16 % | 26 / 16 % |
| adjoining accumulation mass | ---- | ---- | 34–44 % | 40–50 % |
| Information for ventilated builds | | | | |
| Minimal grill area supply / outgoing | 600 / 700 cm² | 900 / 1050 cm² | 900 / 1050 cm² | 900 / 1050 cm² |
| Minimum distance from insulated areas / floor | 80 / 0 mm | | 80 / 0 mm | |
| Reference insulation ² ceiling / back wall / side wall / floor | 120 / 80 / 80 / 0 mm | | 120 / 80 / 80 / 0 mm | |
| Calciumsilicate insulation ³ ceiling / back wall / side wall / floor | 90 / 60 / 60 / 0 mm | | 90 / 60 / 60 / 0 mm | |
| Information for non-ventilated builds (closed grills) | | | | |
| Minimum radiant area ⁴ | 4 m² | | 5,5 m² | |
| Minimum distance from insulated areas / floor | 80 / 20 mm | | 80 / 20 mm | |
| Reference insulation ² ceiling / back wall / side wall / floor | 160 / 100 / 100 / 20 mm | | 160 / 100 / 100 / 20 mm | |
| Calciumsilicate insulation ³ ceiling / back wall / side wall / floor | 120 / 75 / 75 / 20 mm | | 120 / 75 / 75 / 20 mm | |
| General technical information | | | | |
| Total weight / lining weight | ca. 183 / 78 kg | | ca. 183 / 78 kg | |
| Burning chamber dimensions (width x depth) | 305 x 355 mm | | | |
| Combustion air connection | Ø 150 mm | | | |
| Use in non-ventilated accumulation builds according to craft rules | suitable | | | |
| Tested according to | EN 13229 | | | |
| Meets values | 1. BImSchV (Stufe2), 15a BVG | | | |

¹ Listed value from testing. For accurate results is evaluation of each system in the Ortnr / KOV program necessary.

² Mineral wool according to AGI-Q 132

³ Example SkamoEnclousure Board 225 kg/m³

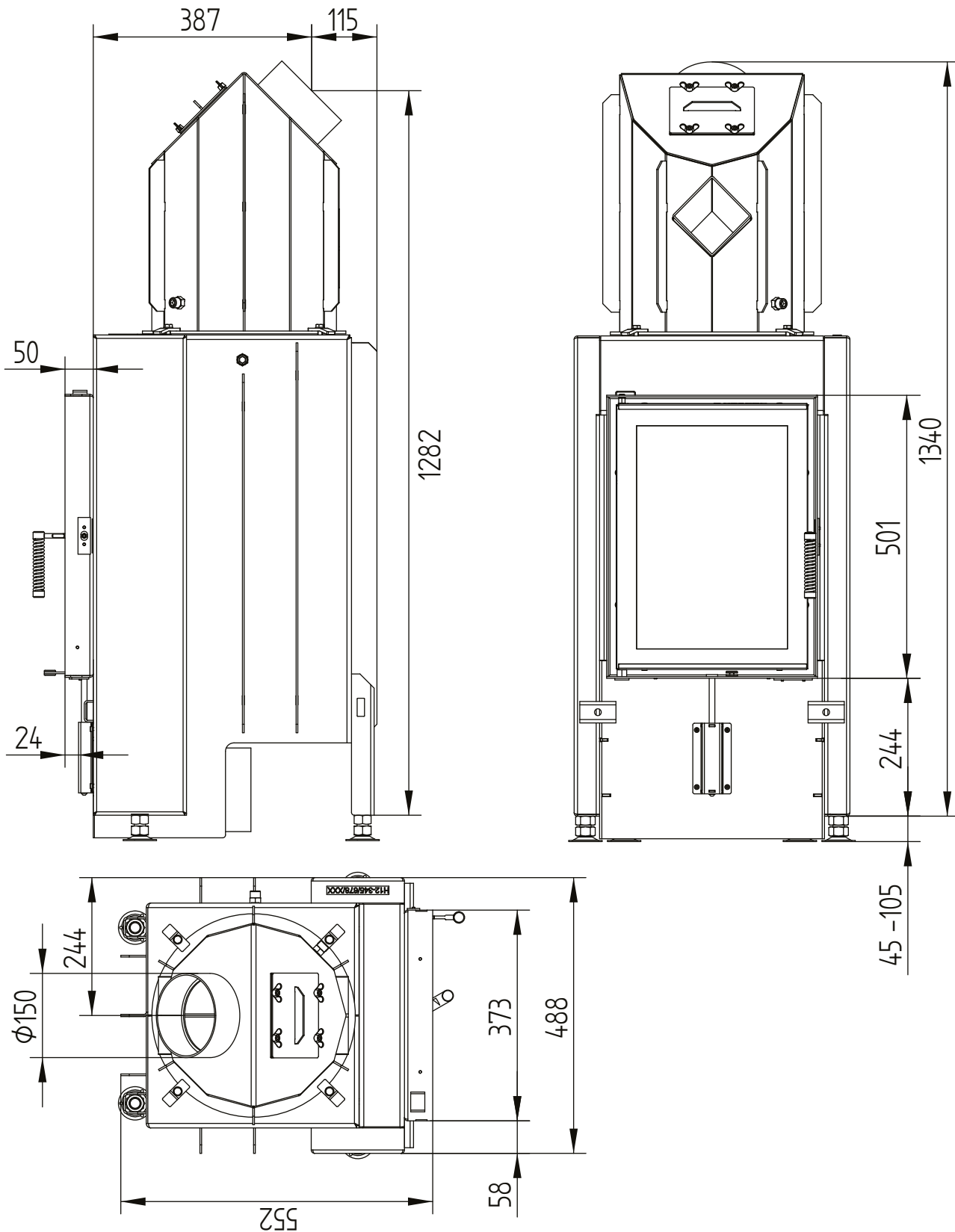
⁴ Depends on accumulation period and material characteristics. Listed values calculated with chamotte stone thickness 30 mm with radiant area 500 W/m²

HAKA 37/50G

Technical data
Version 2019/08

deep chamber hot air exchanger 45°

M 1:10

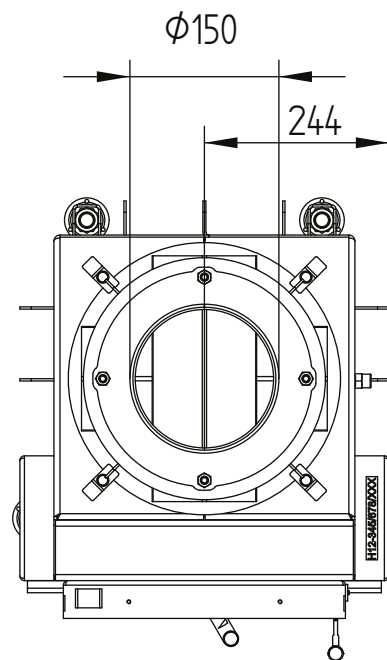
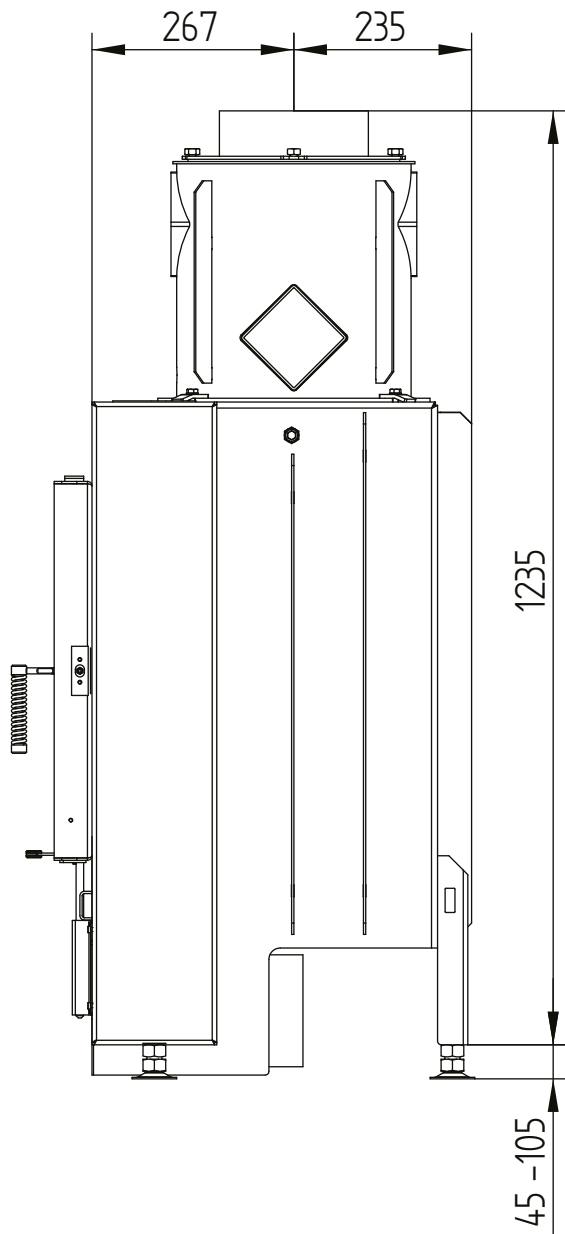


HAKA 37/50G

Technical data
Version 2019/08

deep chamber hot air exchanger vertical

M 1:10

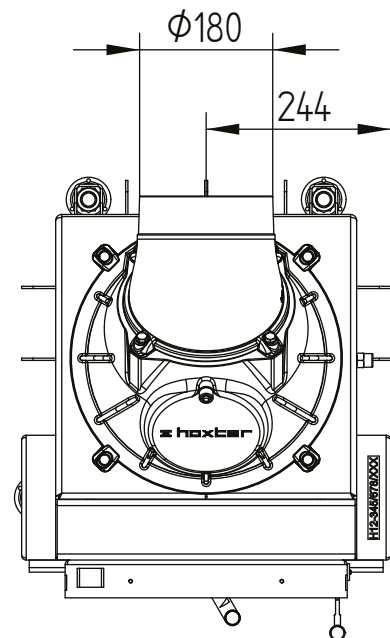
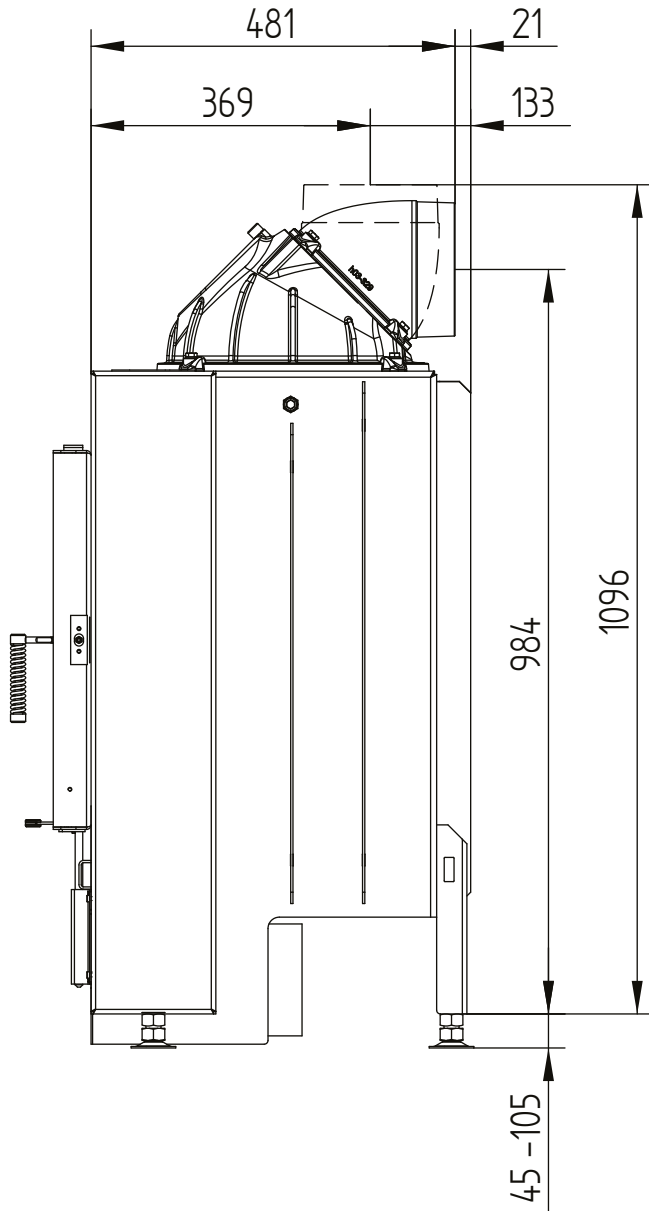


HAKA 37/50G

Technical data
Version 2019/08

deep chamber cupola

M 1:10

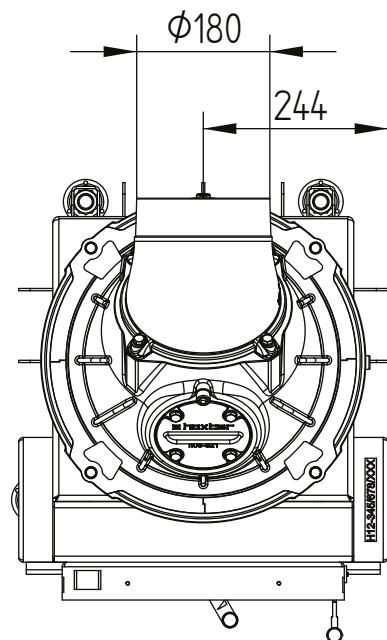
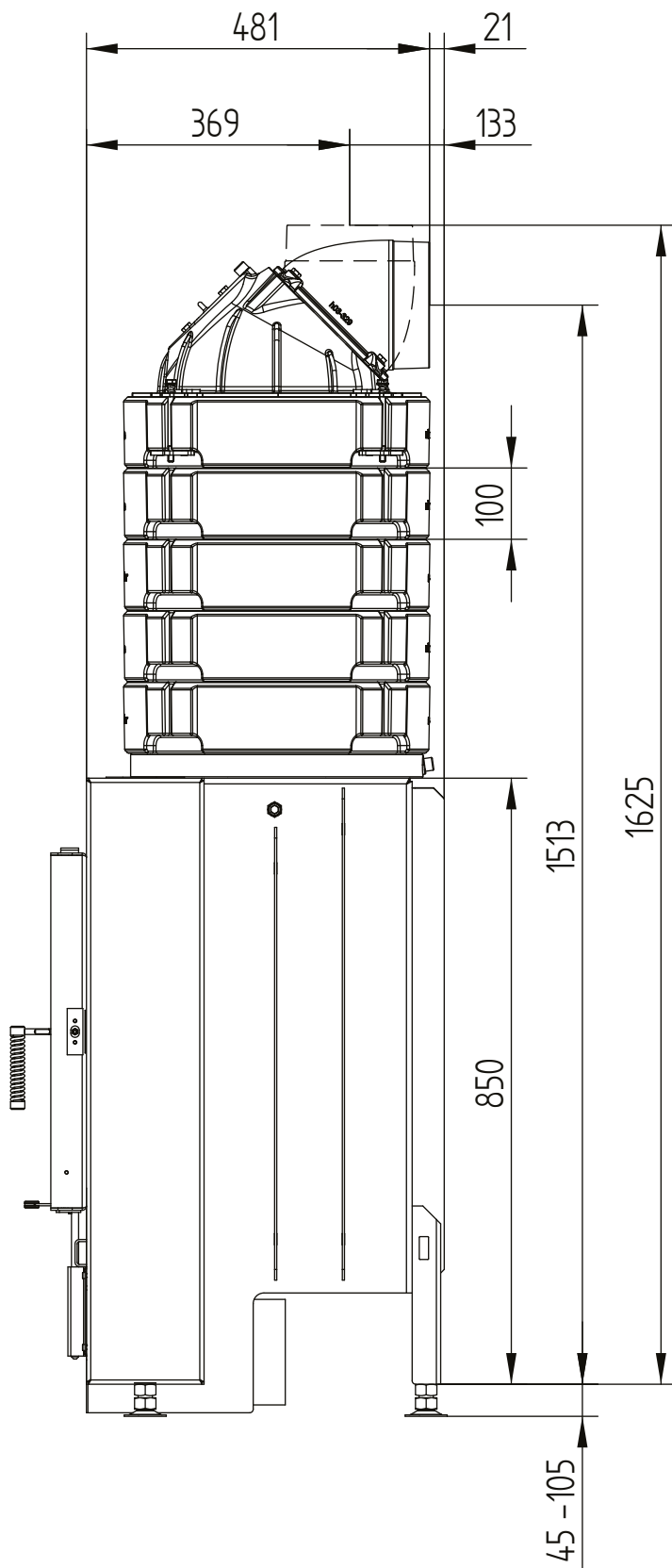


HAKA 37/50G

Technical data
Version 2019/08

deep chamber accumulation rings

M 1:10

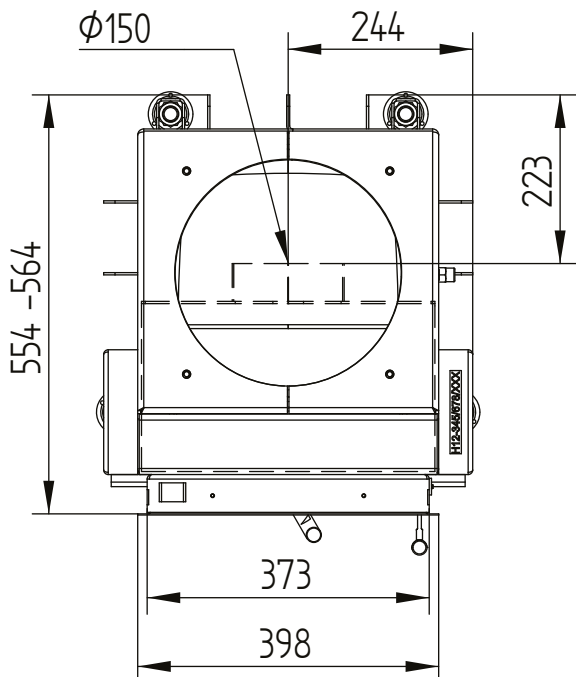
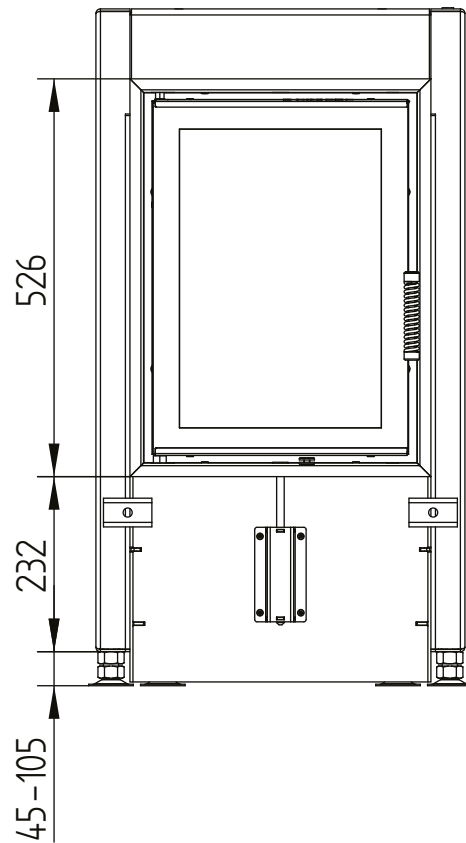
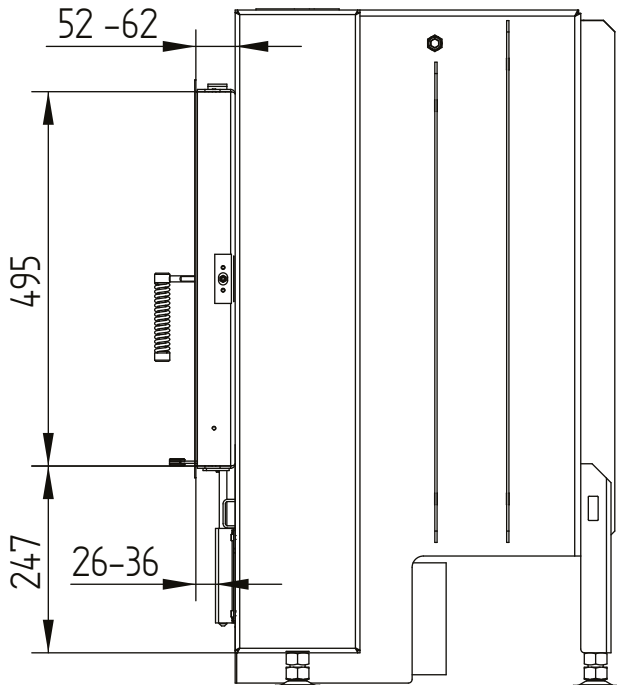


HAKA 37/50G

Technical data
Version 2019/08

cover frame 37/50G 4sides 1 x 90° 50 mm / air intake

M 1:10

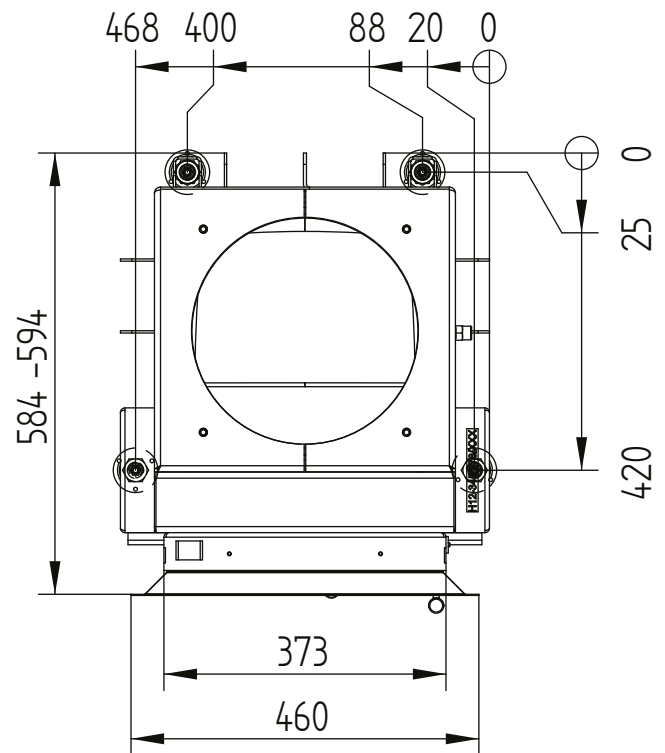
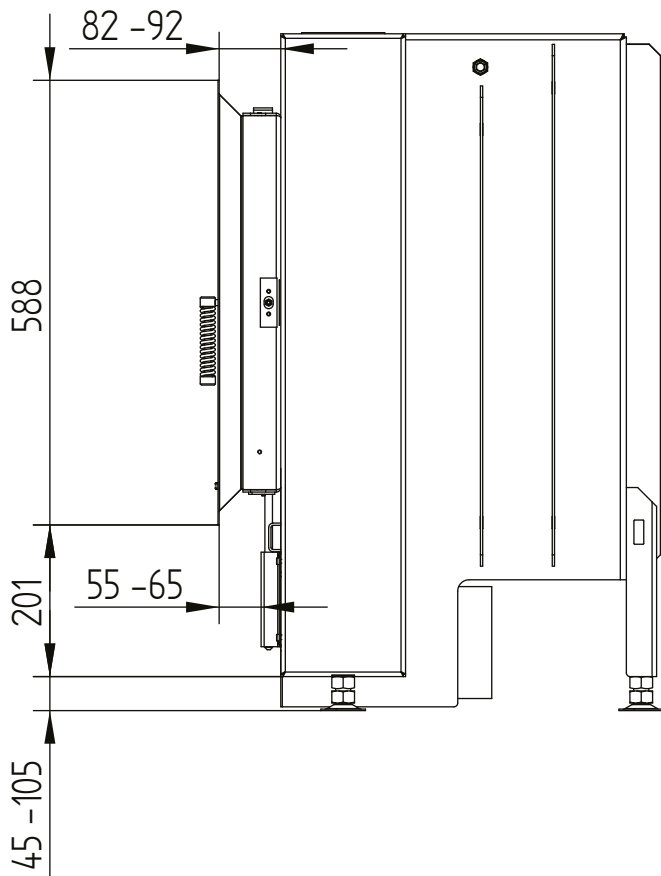


HAKA 37/50G

Technical data
Version 2019/08

cover frame 37/50G 4sides 2 x 45° 80 mm / feet

M 1:10



| | operation when directly connected to chimney | | operation when connected accumulation mass | | |
|--|--|----------------------------|--|----------------------------|-----------------------|
| | cupola | hot air exchanger | cupola | adaptor | |
| Energy label | A | A+ | A+ | A+ | |
| Operating data | | | | | |
| Nominal heat power | 6 kW | 9 kW | ---- | ---- | |
| Efficiency | > 80 % | > 80 % | ---- | ---- | |
| Consumption of wood | 1,8 kg/h | 2,6 kg/h | 8 kg | 6 kg | 8 kg |
| Total heat output of the burning chamber | ---- | ---- | 30 kW | 24 kW | 30 kW |
| Mass flow of flue gas | 6,1 g/s | 7,5 g/s | 25 g/s | 20 g/s | 25 g/s |
| Required chimney pressure | 12 Pa | 12 Pa | 12 Pa | 15 Pa | 16 Pa |
| Required amount of combustion air | 20 m ³ /h | 30 m ³ /h | 100 m ³ /h | 70 m ³ /h | 100 m ³ /h |
| Average flue gas temperature | | | | | |
| on the output | 232 °C | 255 °C | 524 °C | 423 °C | 530 °C |
| past 5,3 m of ceramic accumulation system KMS 300 ¹ | ---- | ---- | 184 °C | ---- | |
| past accumulation rings (5x acc. ring Ø440mm) | ---- | ---- | ---- | 242 °C | ---- |
| past accumulation rings (8x acc. ring Ø440mm) | ---- | ---- | ---- | ---- | 260 °C |
| Heat distribution | | | | | |
| fireplace insert | 74–84 % | 74–84 % | 38 % | 34 % | |
| door glass (single / double) | 26 / 16 % | 26 / 16 % | 26 / 16 % | 26 / 16 % | |
| adjoining accumulation mass | ---- | ---- | 36–46 % | 40–50 % | |
| Information for ventilated builds | | | | | |
| Minimal grill area supply / outgoing | 600 / 700 cm ² | 900 / 1050 cm ² | 900 / 1050 cm ² | 900 / 1050 cm ² | |
| Minimum distance from insulated areas / floor | 80 / 0 mm | | 80 / 0 mm | | |
| Reference insulation ² ceiling / back wall / side wall / floor | 140 / 100 / 100 / 0 mm | | 140 / 100 / 100 / 0 mm | | |
| Calciumsilicate insulation ³ ceiling / back wall / side wall / floor | 110 / 80 / 80 / 0 mm | | 110 / 80 / 80 / 0 mm | | |
| Information for non-ventilated builds (closed grills) | | | | | |
| Minimum radiant area ⁴ | 5,5 m ² | | 6,5 m ² | 5,5 m ² | 6,5 m ² |
| Minimum distance from insulated areas / floor | 80 / 20 mm | | 80 / 20 mm | | |
| Reference insulation ² ceiling / back wall / side wall / floor | 190 / 140 / 140 / 40 mm | | 190 / 140 / 140 / 40 mm | | |
| Calciumsilicate insulation ³ ceiling / back wall / side wall / floor | 140 / 110 / 110 / 25 mm | | 140 / 110 / 110 / 25 mm | | |
| General technical information | | | | | |
| Total weight / lining weight | ca. 193 / 88 kg | | ca. 193 / 88 kg | | |
| Burning chamber dimensions (width x depth) | 305 x 355 mm | | | | |
| Combustion air connection | Ø 150 mm | | | | |
| Use in non-ventilated accumulation builds according to craft rules | suitable | | | | |
| Tested according to | EN 13229 | | | | |
| Meets values | 1. BImSchV (Stufe2), 15a BVG | | | | |

1 Listed value from testing. For accurate results is evaluation of each system in the Ortner / KOV program necessary.

2 Mineral wool according to AGI-Q 132

3 Example SkamoEnclousure Board 225 kg/m³

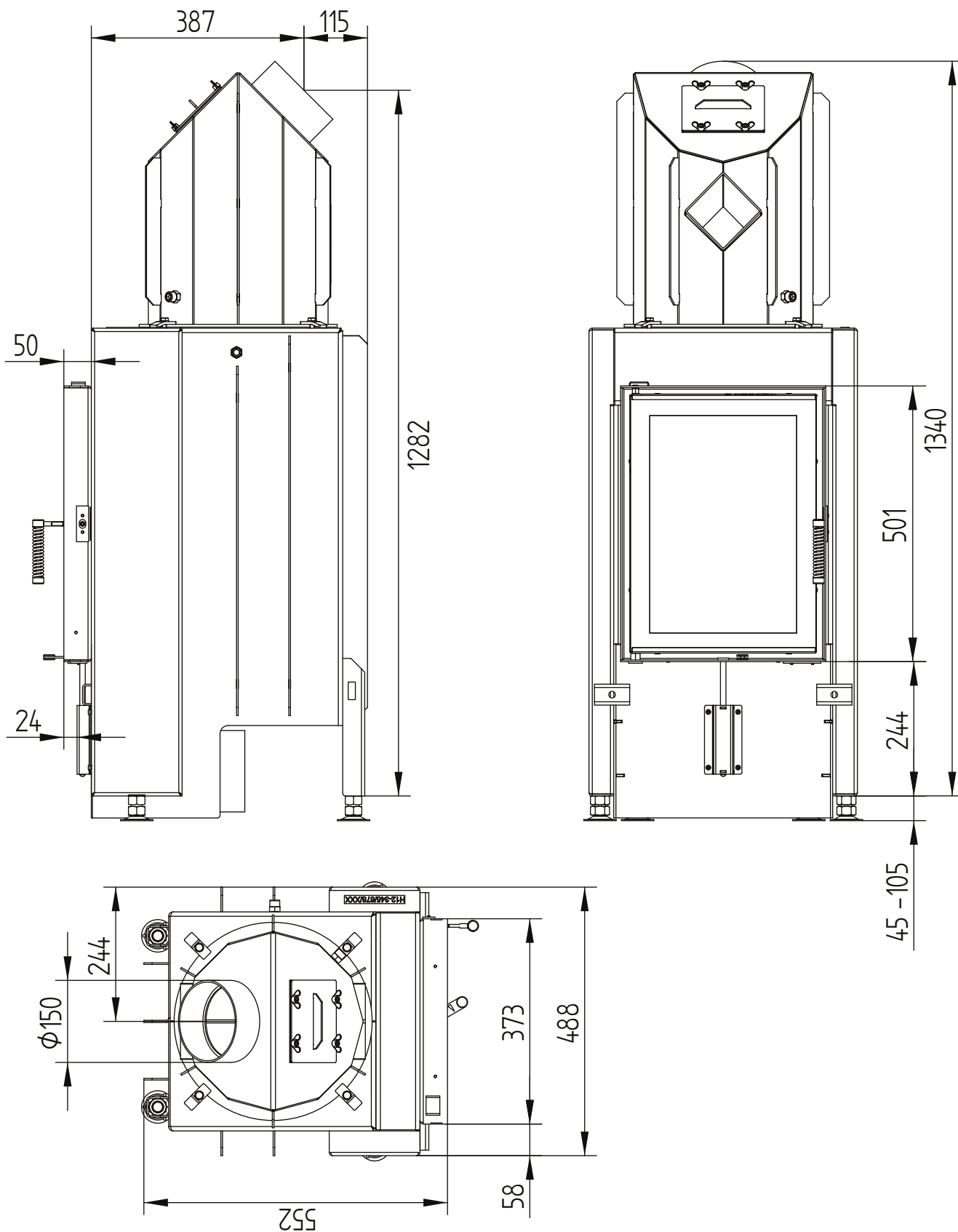
4 Depends on accumulation period and material characteristics. Listed values calculated with chamotte stone thickness 30 mm with radiant area 500 W/m²

HAKA 37/50GN

Technical data
Version 2019/08

deep chamber secondary burning chamber hot air exchanger 45°

M 1:10

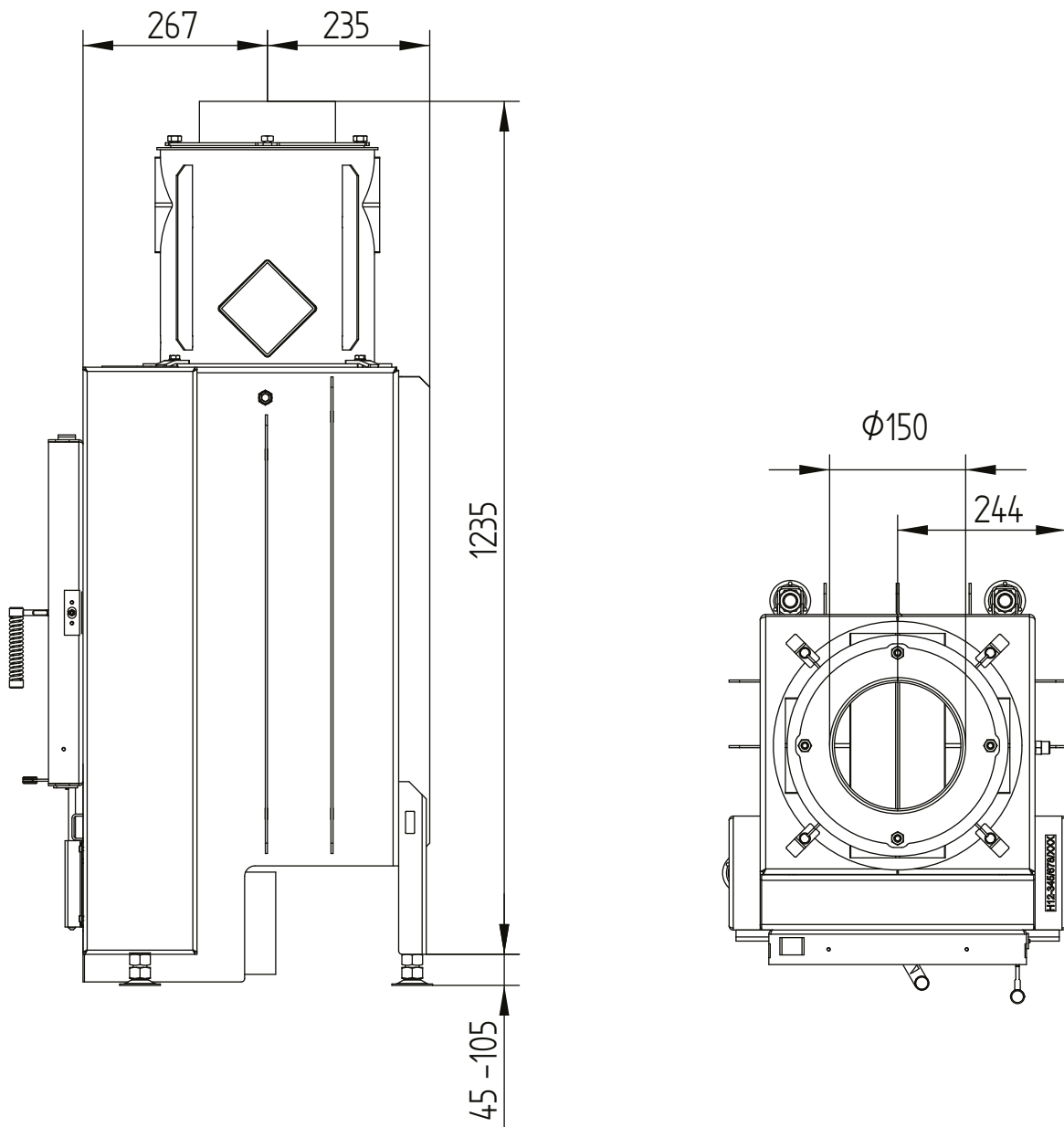


HAKA 37/50GN

Technical data
Version 2019/08

deep chamber secondary burning chamber hot air exchanger vertical

M 1:10

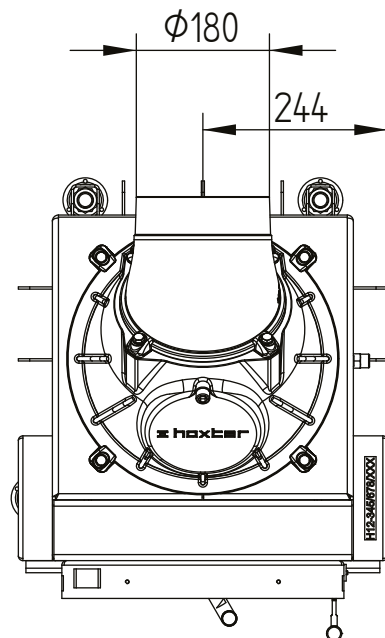
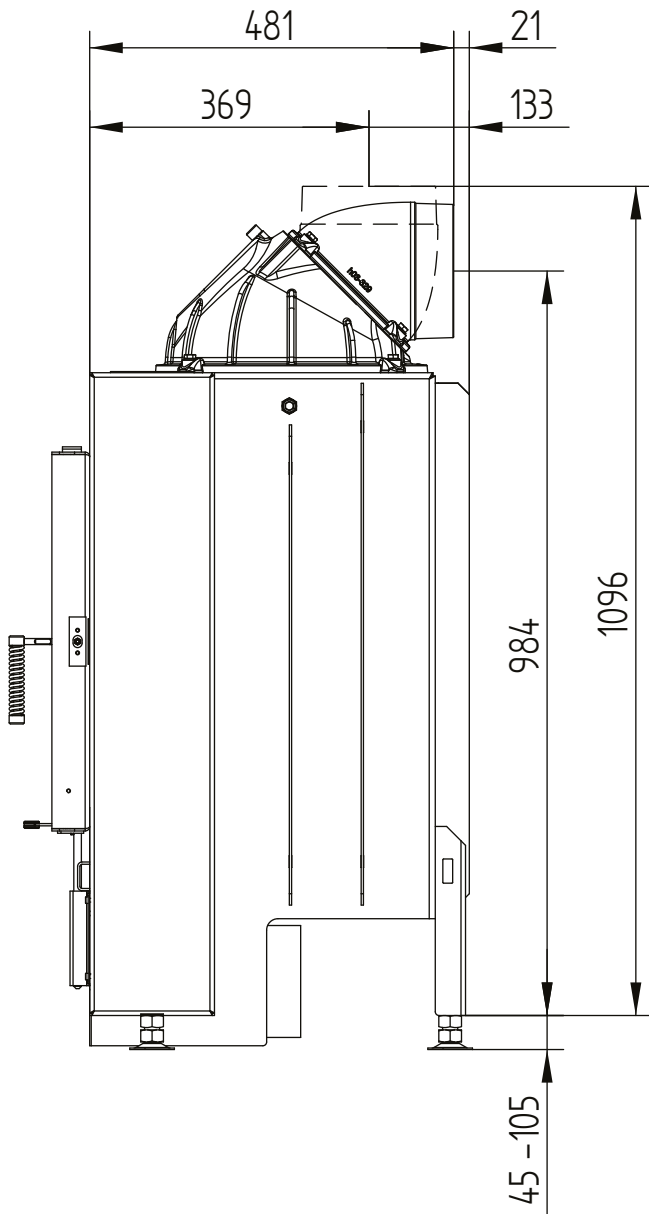


HAKA 37/50GN

Technical data
Version 2019/08

deep chamber secondary burning chamber cupola

M 1:10

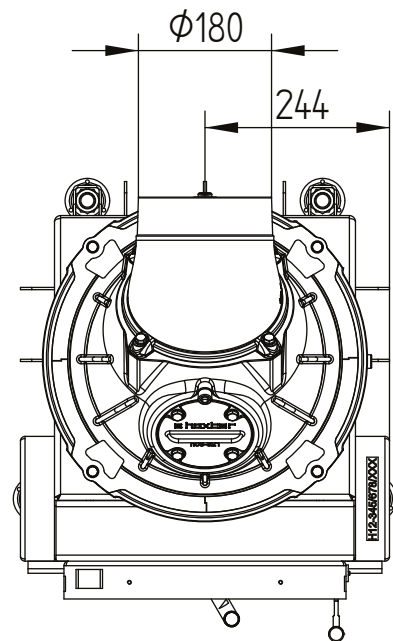
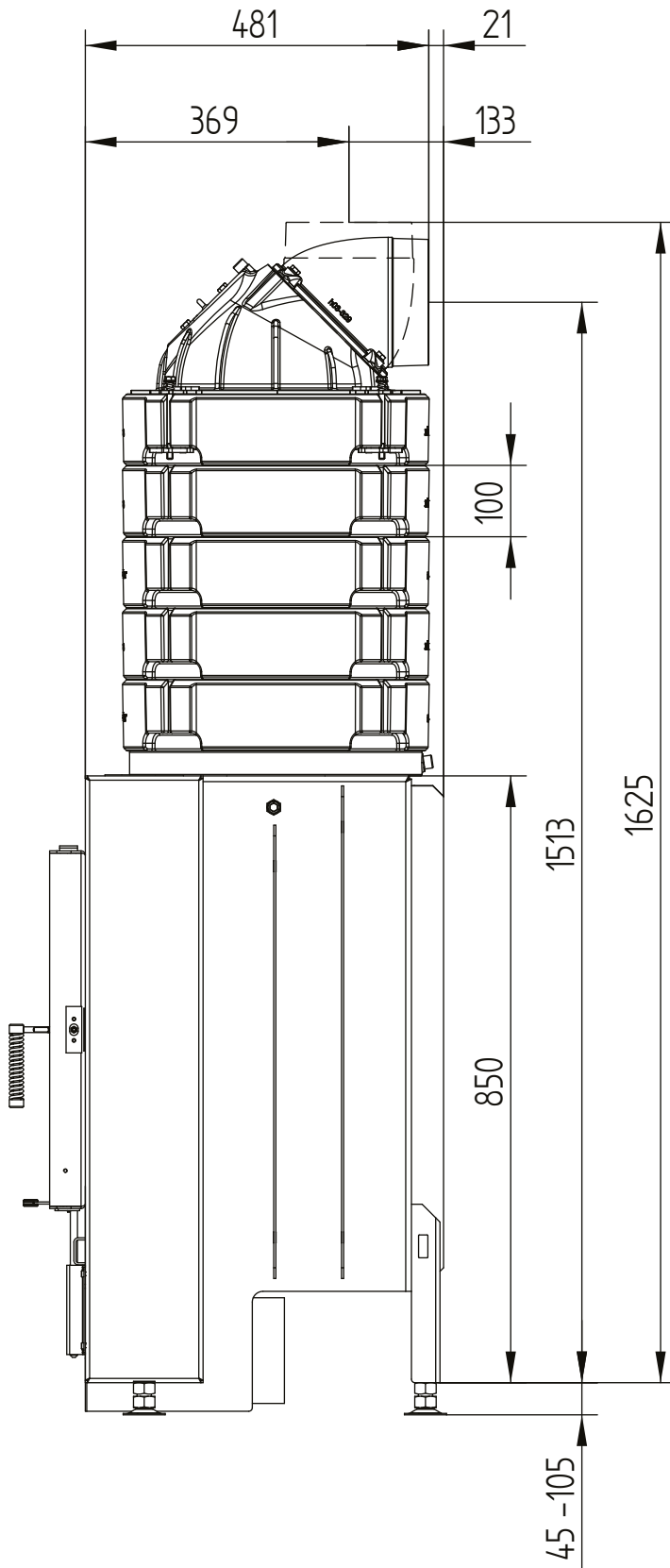


HAKA 37/50GN

Technical data
Version 2019/08

deep chamber secondary burning chamber accumulation rings

M 1:10

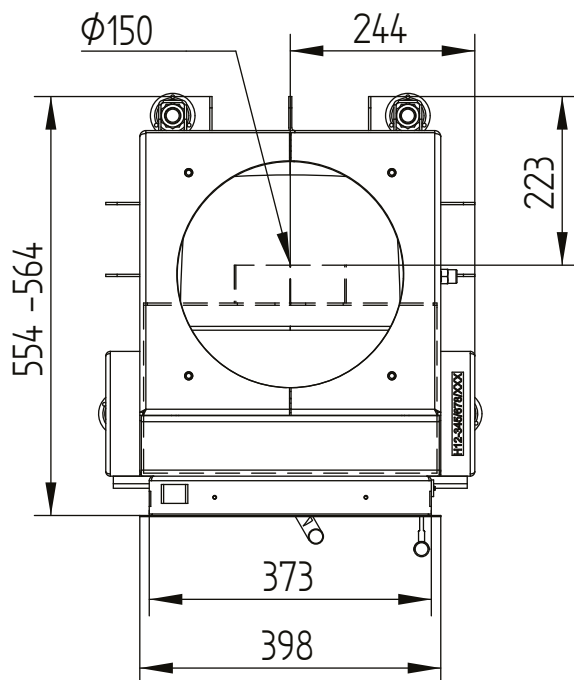
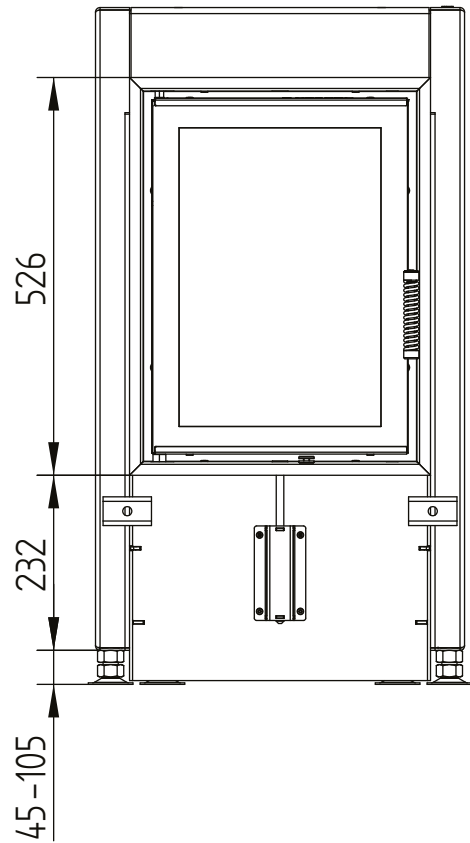
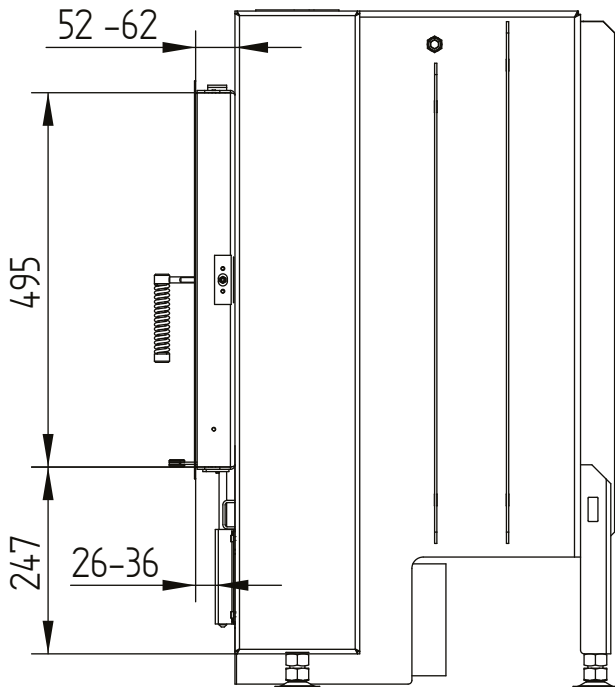


HAKA 37/50GN

Technical data
Version 2019/08

cover frame 37/50GN 4sides 1 x 90° 50 mm / air intake

M 1:10



HAKA 37/50GN

Technical data
Version 2019/08

cover frame 37/50GN 4sides 2 x 45° 80 mm / feet

M 1:10

