

	operation when directly connected to chimney		operation when connected accumulation mass	
	cupola	hot air exchanger	cupola	adaptor
Energy label	<b>A+</b>	<b>A+</b>	<b>A+</b>	<b>A+</b>
<b>Operating data</b>				
Nominal heat power	7 kW	11 kW	----	----
Efficiency	> 80 %	> 80 %	----	----
Consumption of wood	2,1 kg/h	3,2 kg/h	6 kg	5,1 kg
Total heat output of the burning chamber	----	----	24 kW	18 kW
Mass flow of flue gas	7,3 g/s	7,3 g/s	20 g/s	13,3 g/s
Required chimney pressure	12 Pa	12 Pa	12 Pa	15 Pa
Required amount of combustion air	30 m <sup>3</sup> /h	40 m <sup>3</sup> /h	60 m <sup>3</sup> /h	60 m <sup>3</sup> /h
<b>Average flue gas temperature</b>				
on the output	230 °C	230 °C	408 °C	370 °C
past 3,4 m of ceramic accumulation system KMS 300 <sup>1</sup>	----	----	205 °C	----
past accumulation rings (5x acc. ring Ø440mm)	----	----	----	196 °C
<b>Heat distribution</b>				
fireplace insert	62–74 %	62–74 %	37 %	33 %
door glass (single / double)	38 / 26 %	38 / 26 %	38 / 26 %	38 / 26 %
adjoining accumulation mass	----	----	25–37 %	29–41 %
<b>Information for ventilated builds</b>				
Minimal grill area supply / outgoing	700 / 850 cm <sup>2</sup>	950 / 1150 cm <sup>2</sup>	950 / 1150 cm <sup>2</sup>	950 / 1150 cm <sup>2</sup>
Minimum distance from insulated areas / floor	80 / 0 mm		80 / 0 mm	
Reference insulation <sup>2</sup> ceiling / back wall / side wall / floor	120 / 80 / 80 / 0 mm		120 / 80 / 80 / 0 mm	
Calciumsilicate insulation <sup>3</sup> ceiling / back wall / side wall / floor	90 / 60 / 60 / 0 mm		90 / 60 / 60 / 0 mm	
<b>Information for non-ventilated builds (closed grills)</b>				
Minimum radiant area <sup>4</sup>	4,5 m <sup>2</sup>		4,5 m <sup>2</sup>	
Minimum distance from insulated areas / floor	80 / 20 mm		80 / 20 mm	
Reference insulation <sup>2</sup> ceiling / back wall / side wall / floor	160 / 100 / 100 / 20 mm		160 / 100 / 100 / 20 mm	
Calciumsilicate insulation <sup>3</sup> ceiling / back wall / side wall / floor	120 / 75 / 75 / 20 mm		120 / 75 / 75 / 20 mm	
<b>General technical information</b>				
Total weight / lining weight	ca. 213 / 70 kg		ca. 213 / 70 kg	
Burning chamber dimensions (width x depth)	540 x 305 mm			
Combustion air connection	Ø 150 mm			
Use in non-ventilated accumulation builds according to craft rules	suitable			
Tested according to	EN 13229			
Meets values	1. BlmSchV (Stufe2), 15a BVG			

1 Listed value from testing. For accurate results is evaluation of each system in the Ortnr / KOV program necessary.

2 Mineral wool according to AGI-Q 132

3 Example SkamoEnclousure Board 225 kg/m<sup>3</sup>

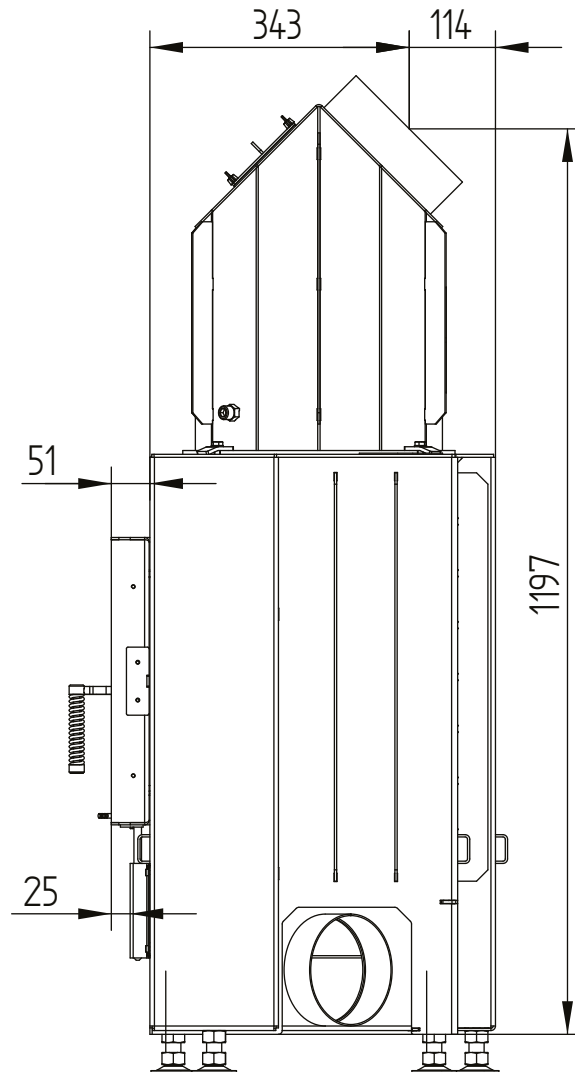
4 Depends on accumulation period and material characteristics. Listed values calculated with chamotte stone thickness 30 mm with radiant area 500 W/m<sup>2</sup>

# ECKA 70/40/38L left

Technical data  
Version 2019/08

side opening hot air exchanger 45°

M 1:10

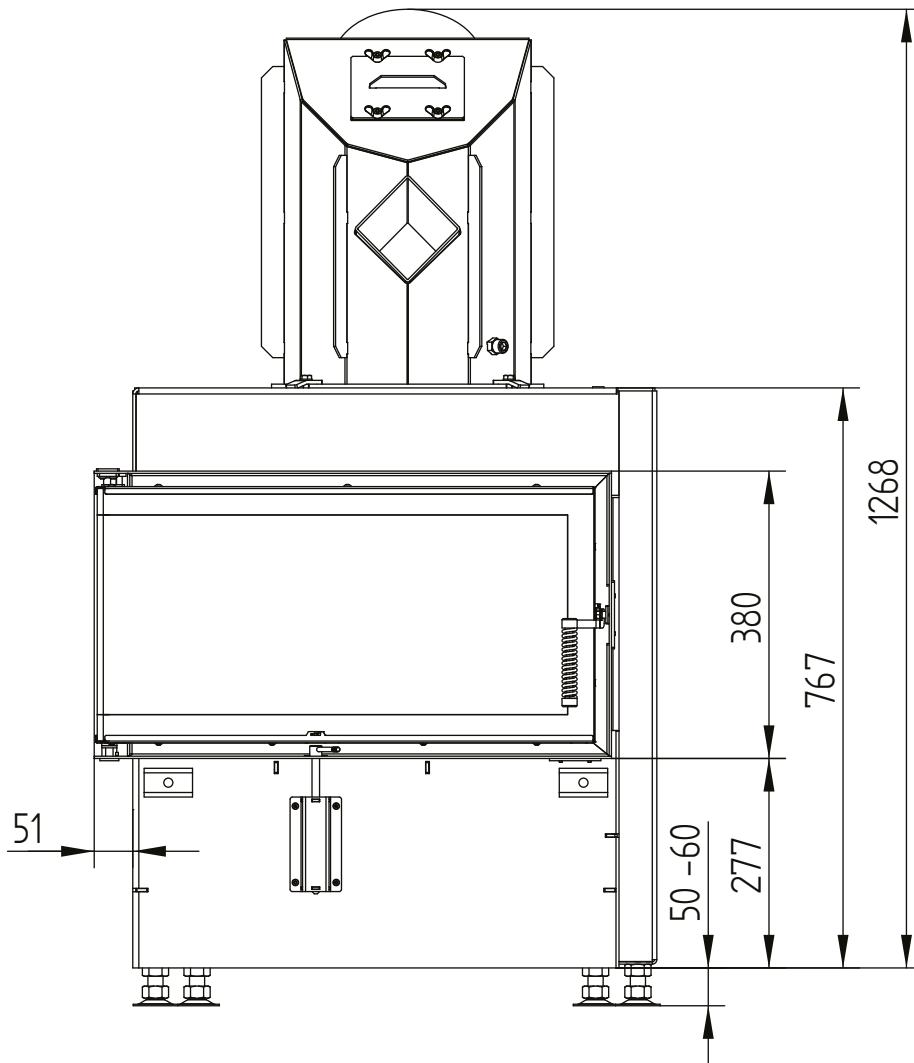


# ECKA 70/40/38L left

Technical data  
Version 2019/08

side opening hot air exchanger 45°

M 1:10

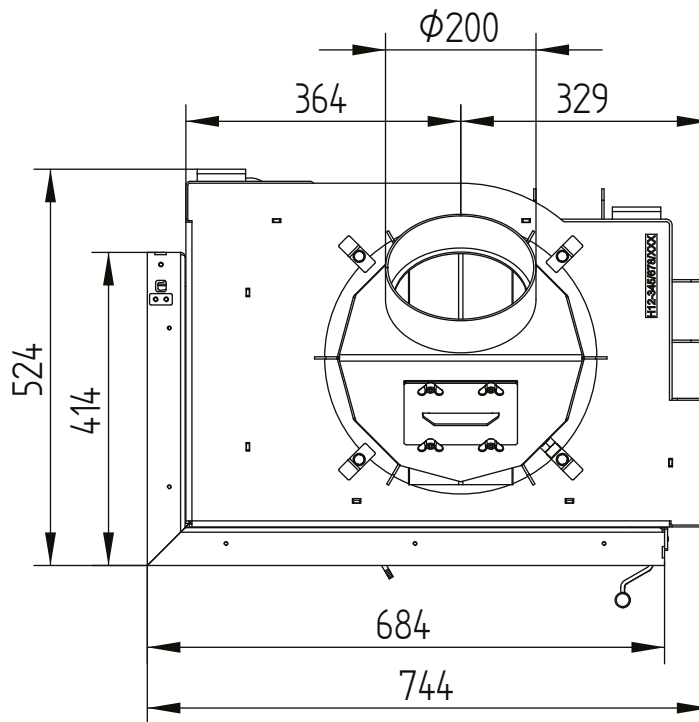


# ECKA 70/40/38L left

Technical data  
Version 2019/08

side opening hot air exchanger 45°

M 1:10

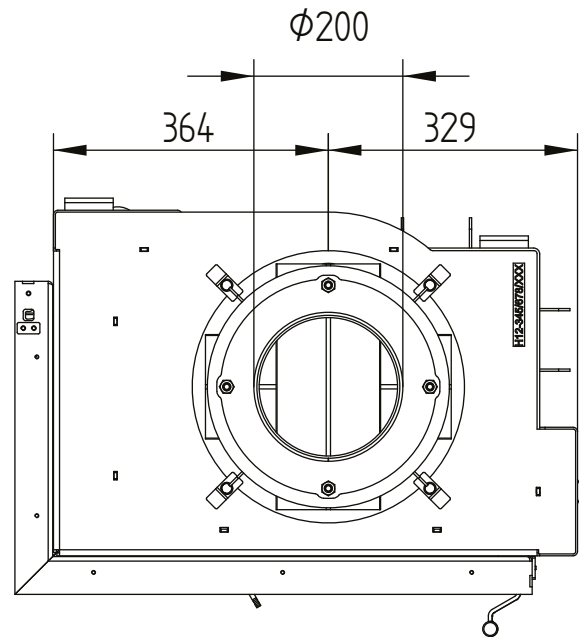
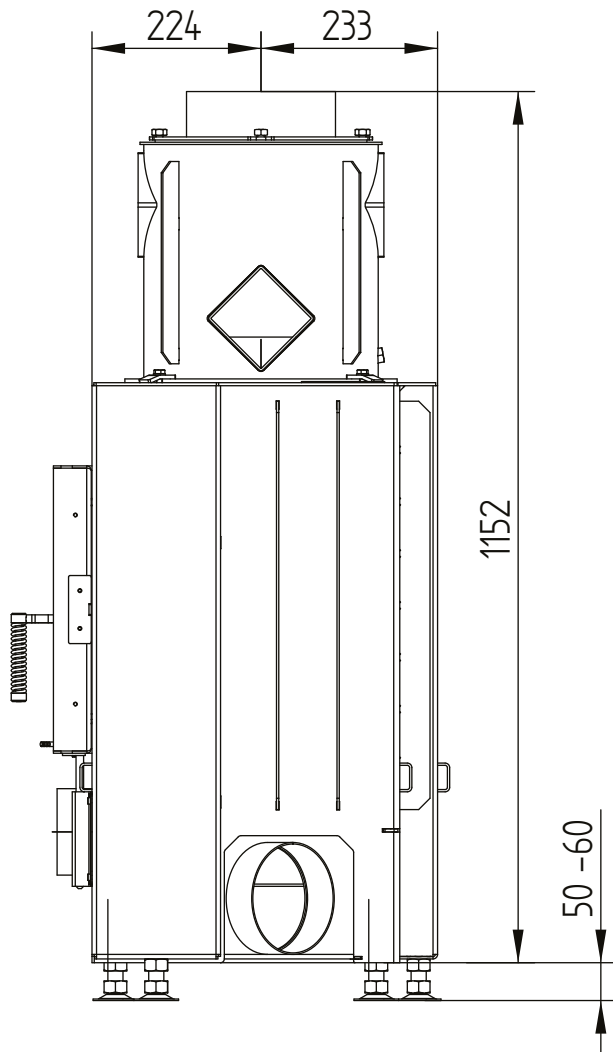


# ECKA 70/40/38L left

Technical data  
Version 2019/08

side opening hot air exchanger vertical

M 1:10

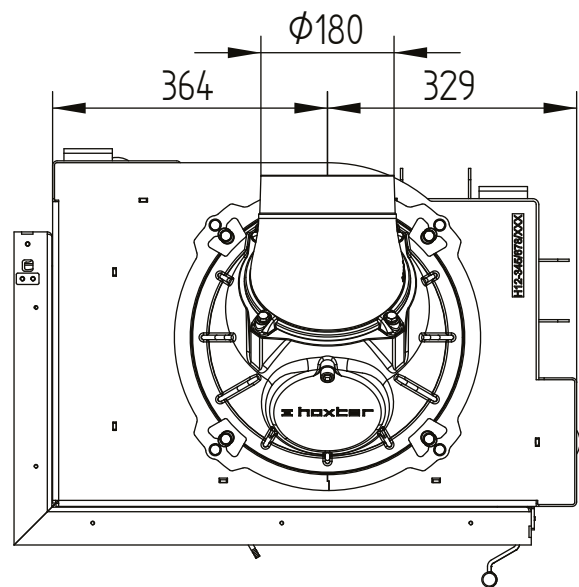
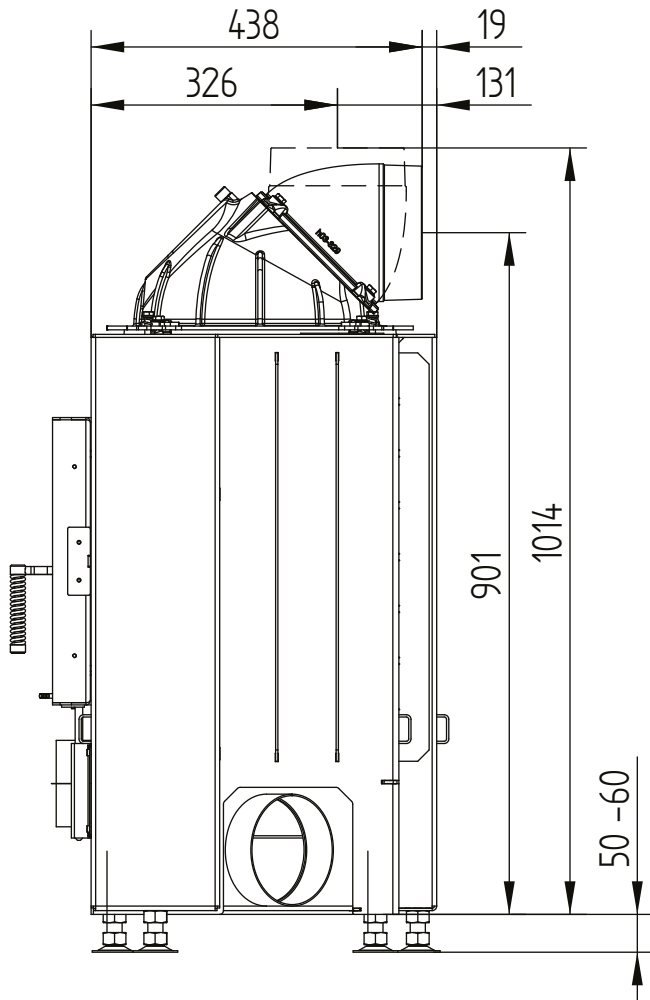


# ECKA 70/40/38L left

Technical data  
Version 2019/08

side opening cupola

M 1:10

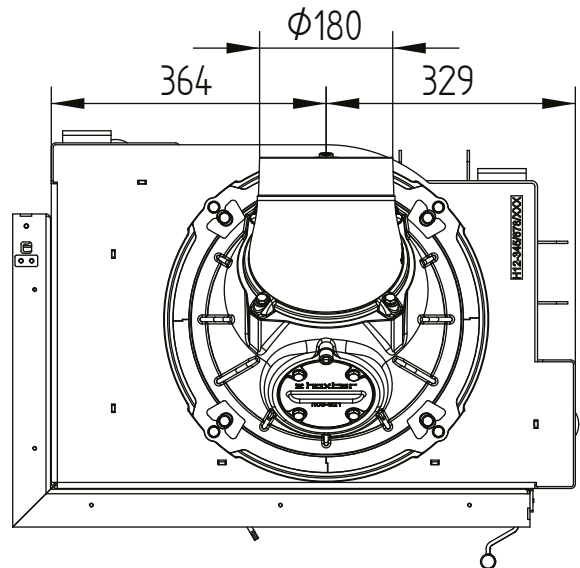
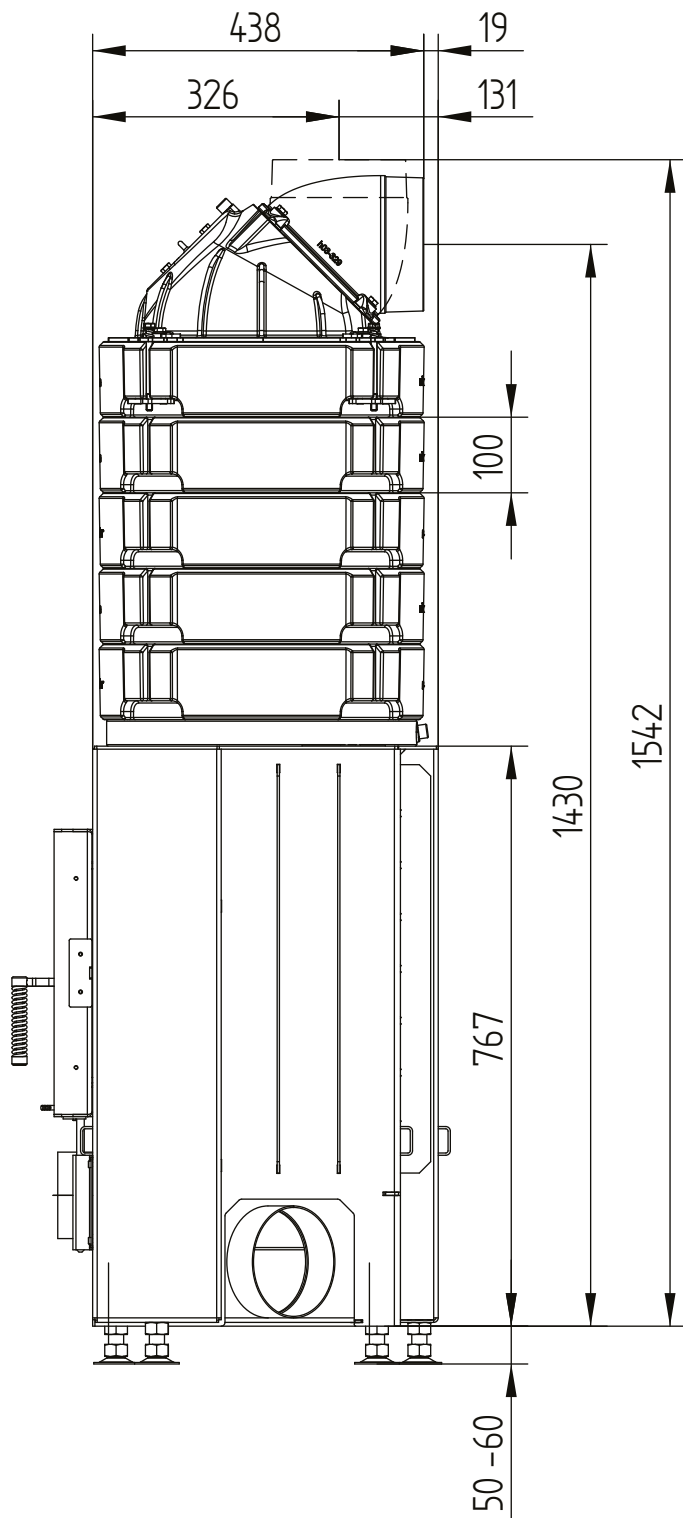


# ECKA 70/40/38L left

Technical data  
Version 2019/08

side opening accumulation rings

M 1:10

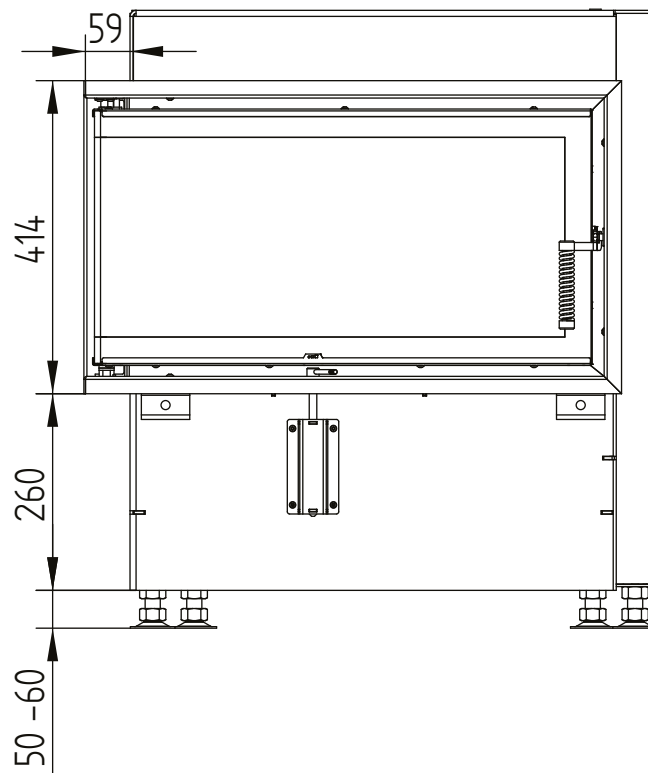
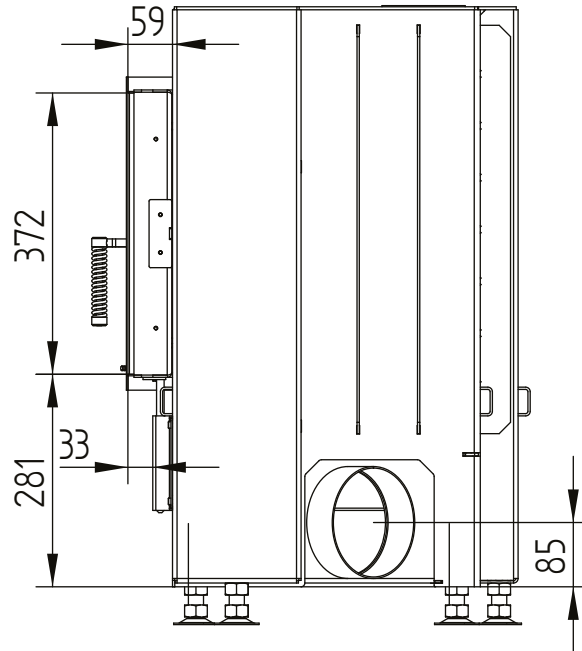


# ECKA 70/40/38L left

Technical data  
Version 2019/08

cover frame 70/40/38 left-right side opening 6sides 60 mm 1 x 90° / air connection

M 1:10



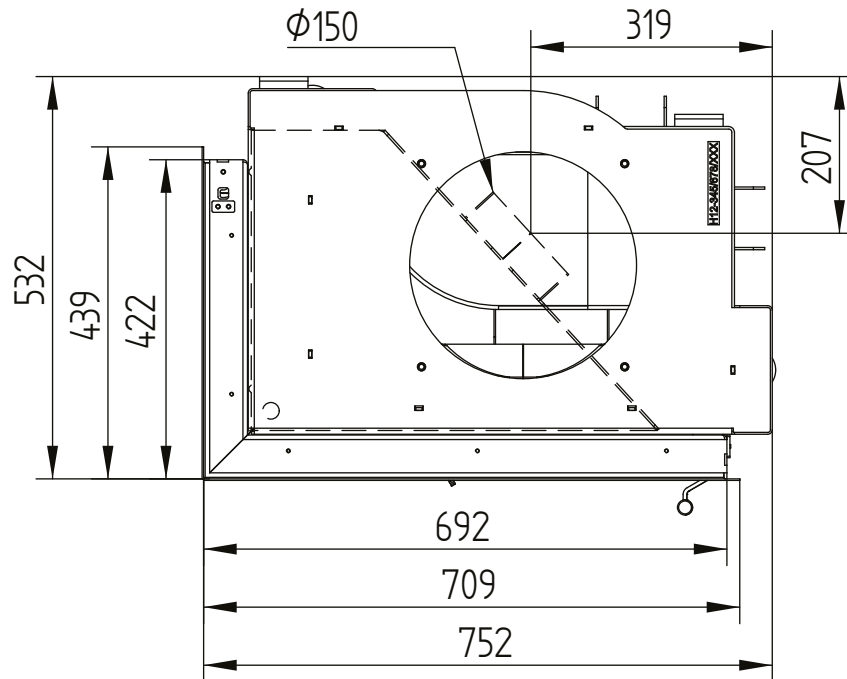


# ECKA 70/40/38L left

Technical data  
Version 2019/08

cover frame 70/40/38 left-right side opening 6sides 60 mm 1 x 90° / air connection

M 1:10

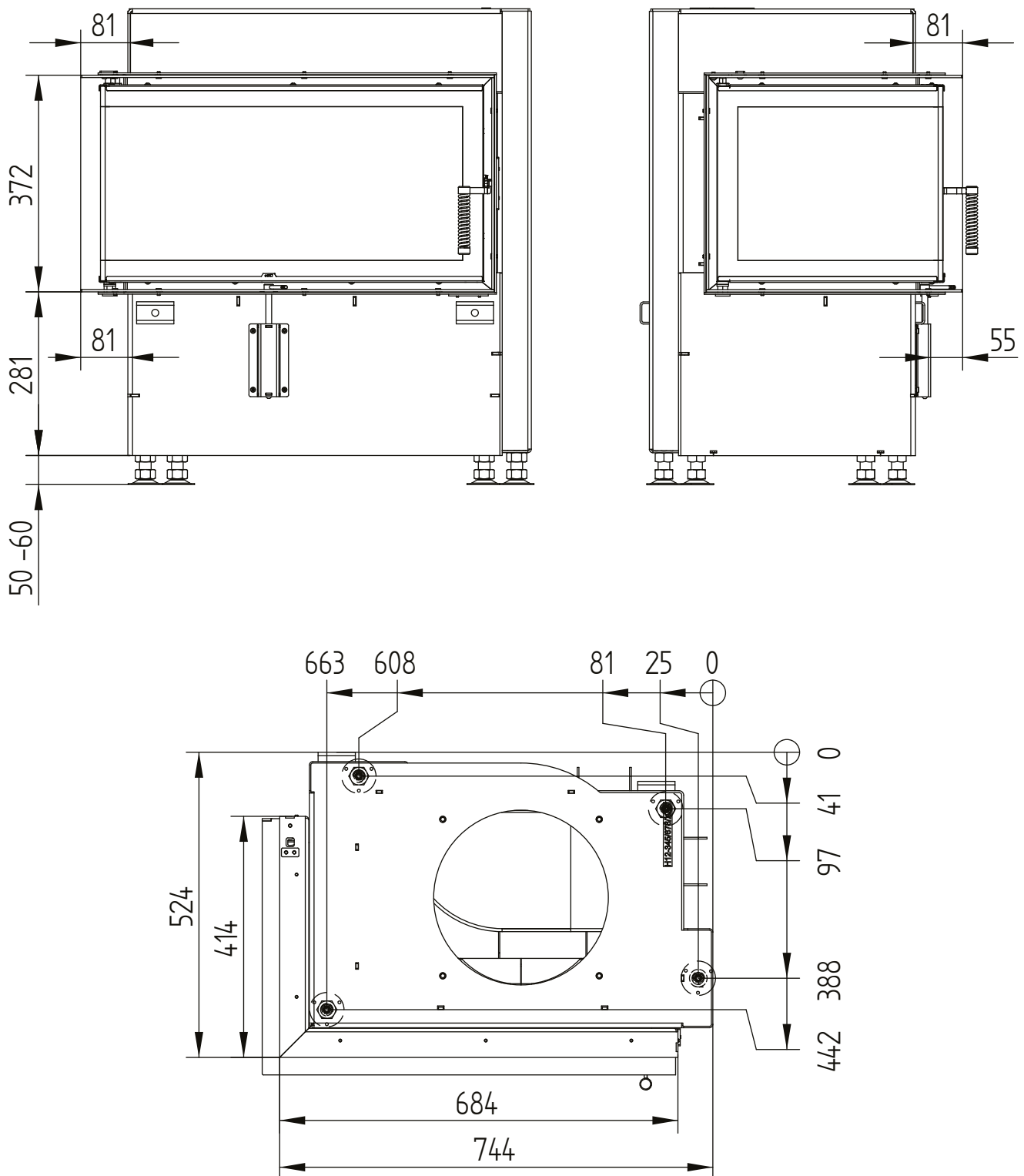


# ECKA 70/40/38L left

Technical data  
Version 2019/08

build-on frame 70/40/38 left side opening 6sides 80 mm / feet

M 1:10



# ECKA 70/40/38R right

Technical data  
Version 2019/08

	operation when directly connected to chimney		operation when connected accumulation mass	
	cupola	hot air exchanger	cupola	adaptor
Energy label	<b>A+</b>	<b>A+</b>	<b>A+</b>	<b>A+</b>
<b>Operating data</b>				
Nominal heat power	7 kW	11 kW	----	----
Efficiency	> 80 %	> 80 %	----	----
Consumption of wood	2,1 kg/h	3,2 kg/h	6 kg	5,1 kg
Total heat output of the burning chamber	----	----	24 kW	18 kW
Mass flow of flue gas	7,3 g/s	7,3 g/s	20 g/s	13,3 g/s
Required chimney pressure	12 Pa	12 Pa	12 Pa	15 Pa
Required amount of combustion air	30 m <sup>3</sup> /h	40 m <sup>3</sup> /h	60 m <sup>3</sup> /h	60 m <sup>3</sup> /h
<b>Average flue gas temperature</b>				
on the output	230 °C	230 °C	408 °C	370 °C
past 3,4 m of ceramic accumulation system KMS 300 <sup>1</sup>	----	----	205 °C	----
past accumulation rings (5x acc. ring Ø440mm)	----	----	----	196 °C
<b>Heat distribution</b>				
fireplace insert	62–74 %	62–74 %	37 %	33 %
door glass (single / double)	38 / 26 %	38 / 26 %	38 / 26 %	38 / 26 %
adjoining accumulation mass	----	----	25–37 %	29–41 %
<b>Information for ventilated builds</b>				
Minimal grill area supply / outgoing	700 / 850 cm <sup>2</sup>	950 / 1150 cm <sup>2</sup>	950 / 1150 cm <sup>2</sup>	950 / 1150 cm <sup>2</sup>
Minimum distance from insulated areas / floor	80 / 0 mm		80 / 0 mm	
Reference insulation <sup>2</sup> ceiling / back wall / side wall / floor	120 / 80 / 80 / 0 mm		120 / 80 / 80 / 0 mm	
Calciumsilicate insulation <sup>3</sup> ceiling / back wall / side wall / floor	90 / 60 / 60 / 0 mm		90 / 60 / 60 / 0 mm	
<b>Information for non-ventilated builds (closed grills)</b>				
Minimum radiant area <sup>4</sup>	4,5 m <sup>2</sup>		4,5 m <sup>2</sup>	
Minimum distance from insulated areas / floor	80 / 20 mm		80 / 20 mm	
Reference insulation <sup>2</sup> ceiling / back wall / side wall / floor	160 / 100 / 100 / 20 mm		160 / 100 / 100 / 20 mm	
Calciumsilicate insulation <sup>3</sup> ceiling / back wall / side wall / floor	120 / 75 / 75 / 20 mm		120 / 75 / 75 / 20 mm	
<b>General technical information</b>				
Total weight / lining weight	ca. 213 / 70 kg		ca. 213 / 70 kg	
Burning chamber dimensions (width x depth)	540 x 305 mm			
Combustion air connection	Ø 150 mm			
Use in non-ventilated accumulation builds according to craft rules	suitable			
Tested according to	EN 13229			
Meets values	1. BlmSchV (Stufe2), 15a BVG			

1 Listed value from testing. For accurate results is evaluation of each system in the Ortnr / KOV program necessary.

2 Mineral wool according to AGI-Q 132

3 Example SkamoEnclousure Board 225 kg/m<sup>3</sup>

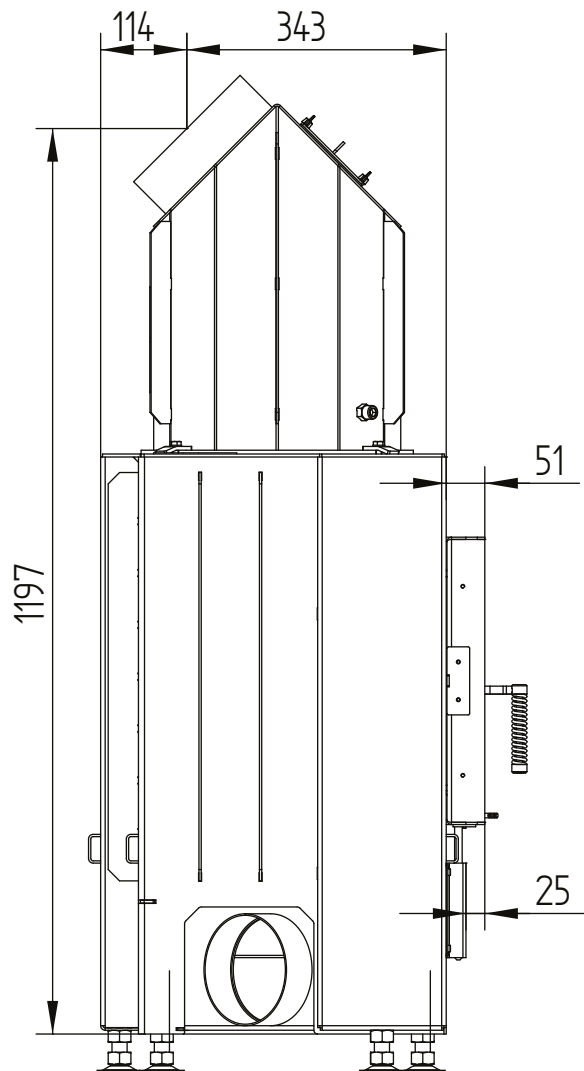
4 Depends on accumulation period and material characteristics. Listed values calculated with chamotte stone thickness 30 mm with radiant area 500 W/m<sup>2</sup>

# ECKA 70/40/38R right

Technical data  
Version 2019/08

side opening hot air exchanger 45°

M 1:10

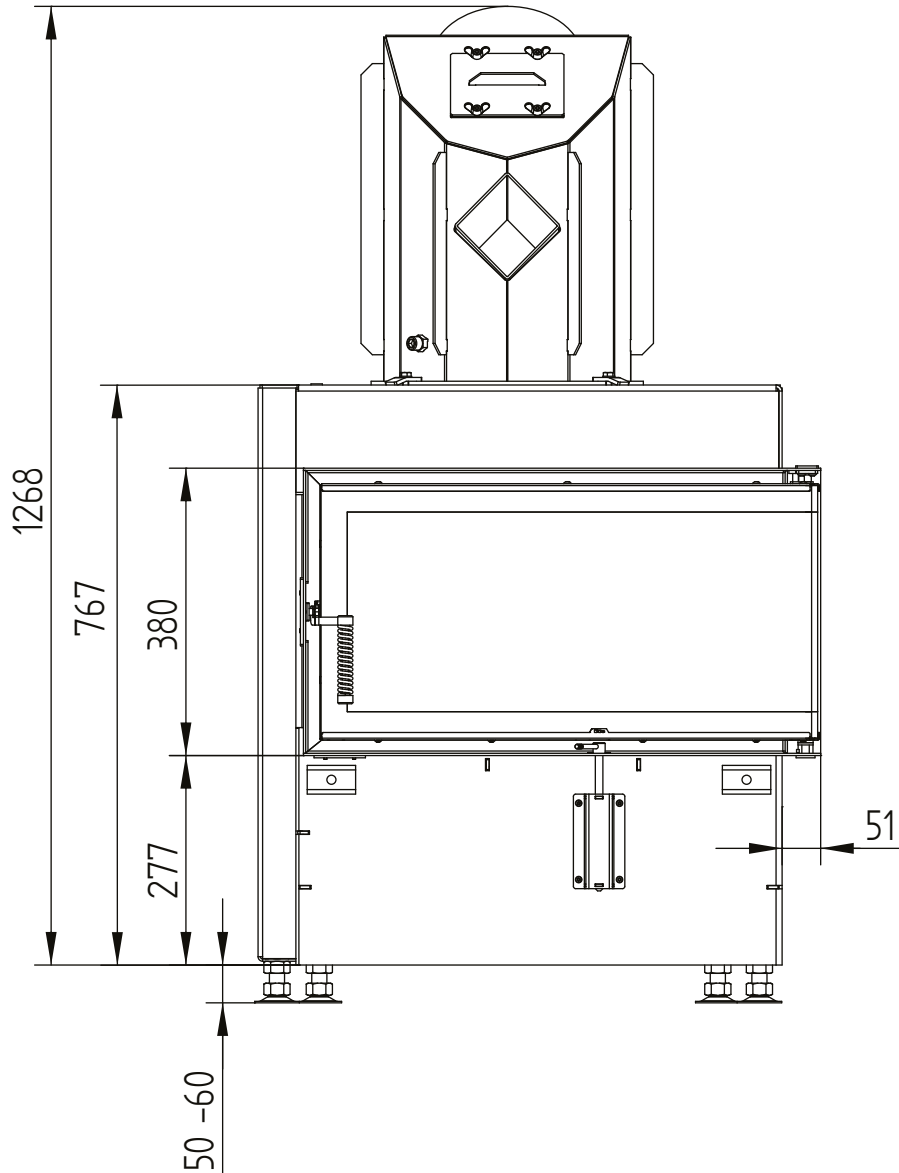


# ECKA 70/40/38R right

Technical data  
Version 2019/08

side opening hot air exchanger 45°

M 1:10

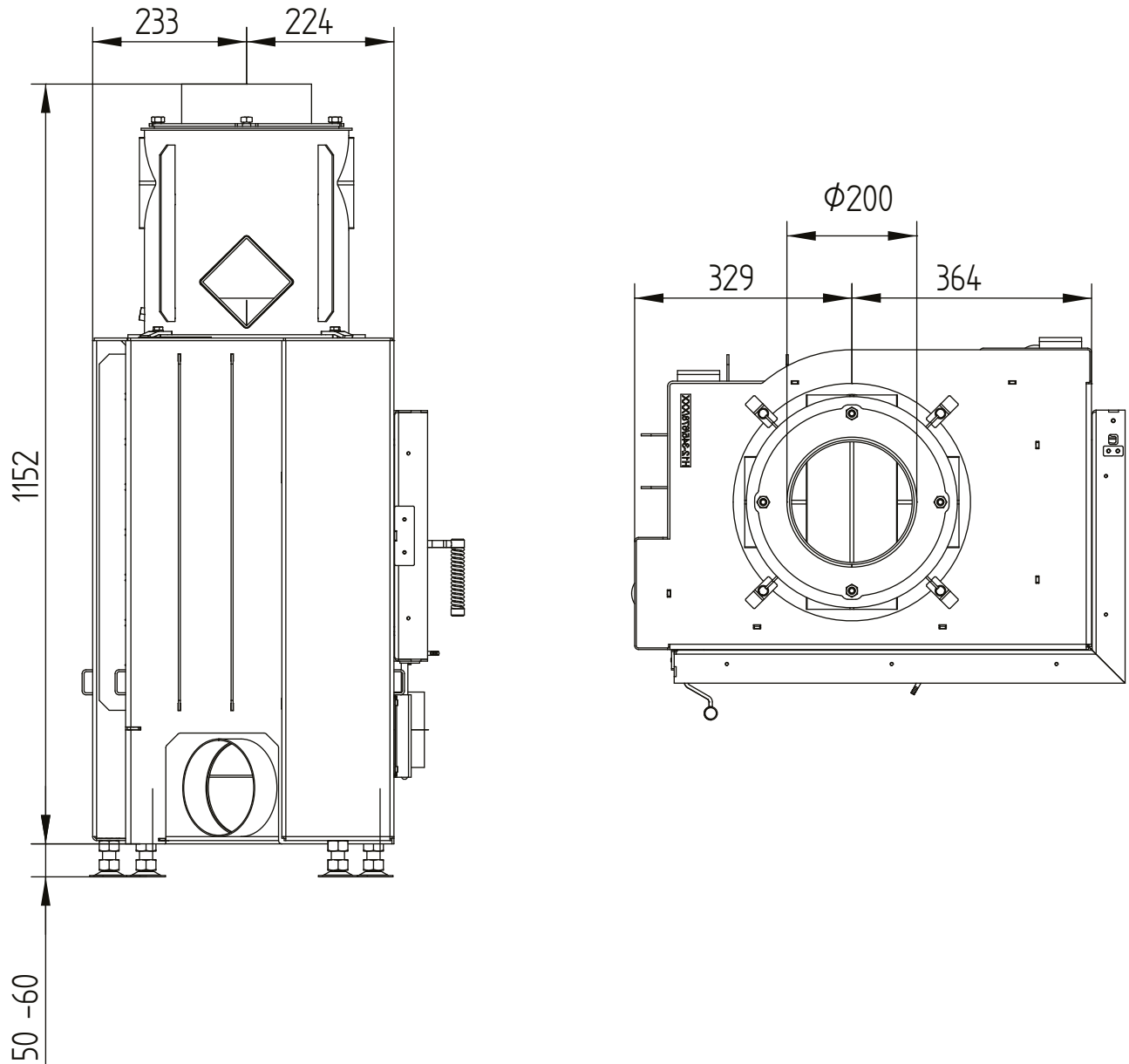


# ECKA 70/40/38R right

Technical data  
Version 2019/08

side opening hot air exchanger vertical

M 1:10

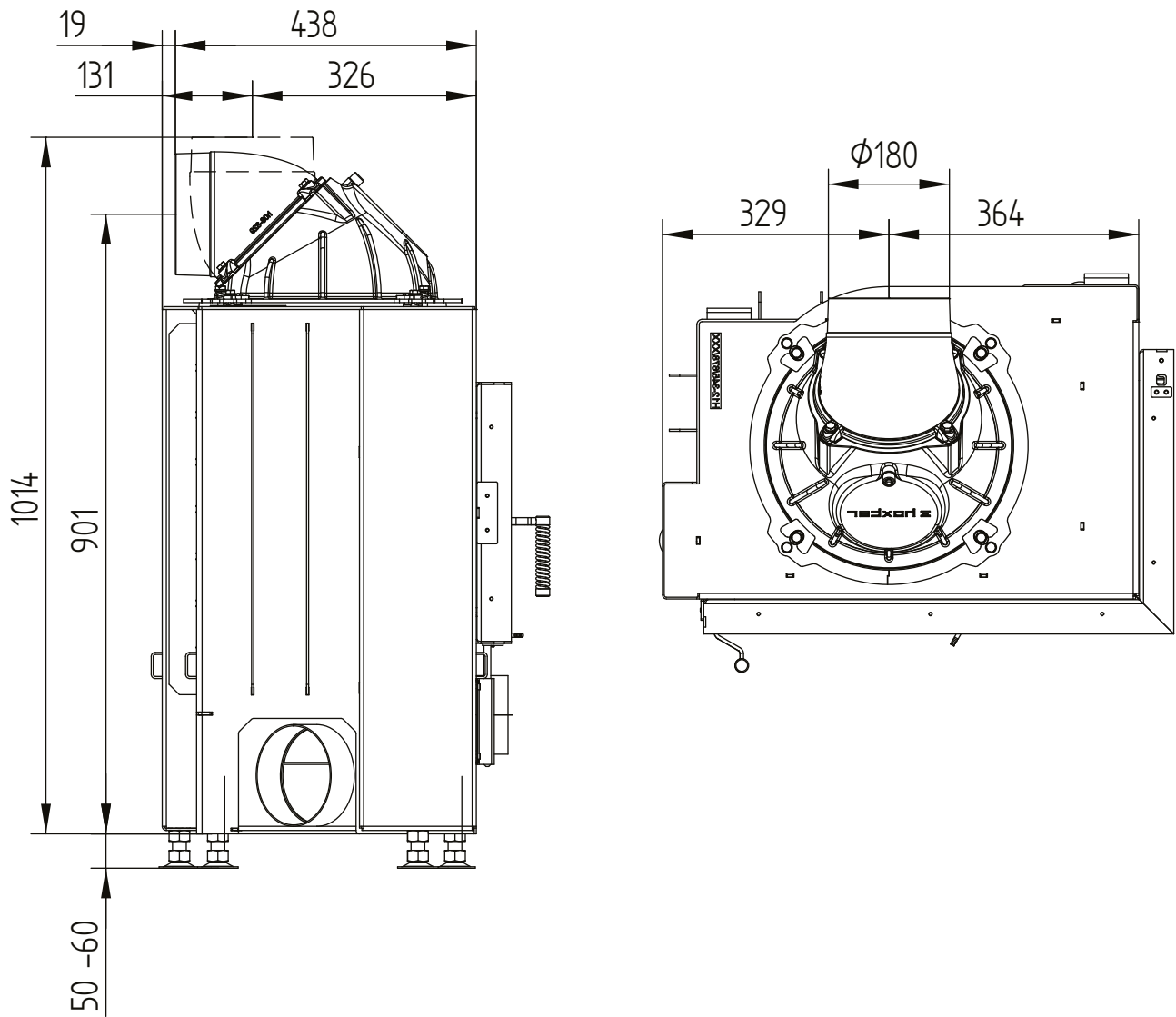


# ECKA 70/40/38R right

Technical data  
Version 2019/08

side opening cupola

M 1:10

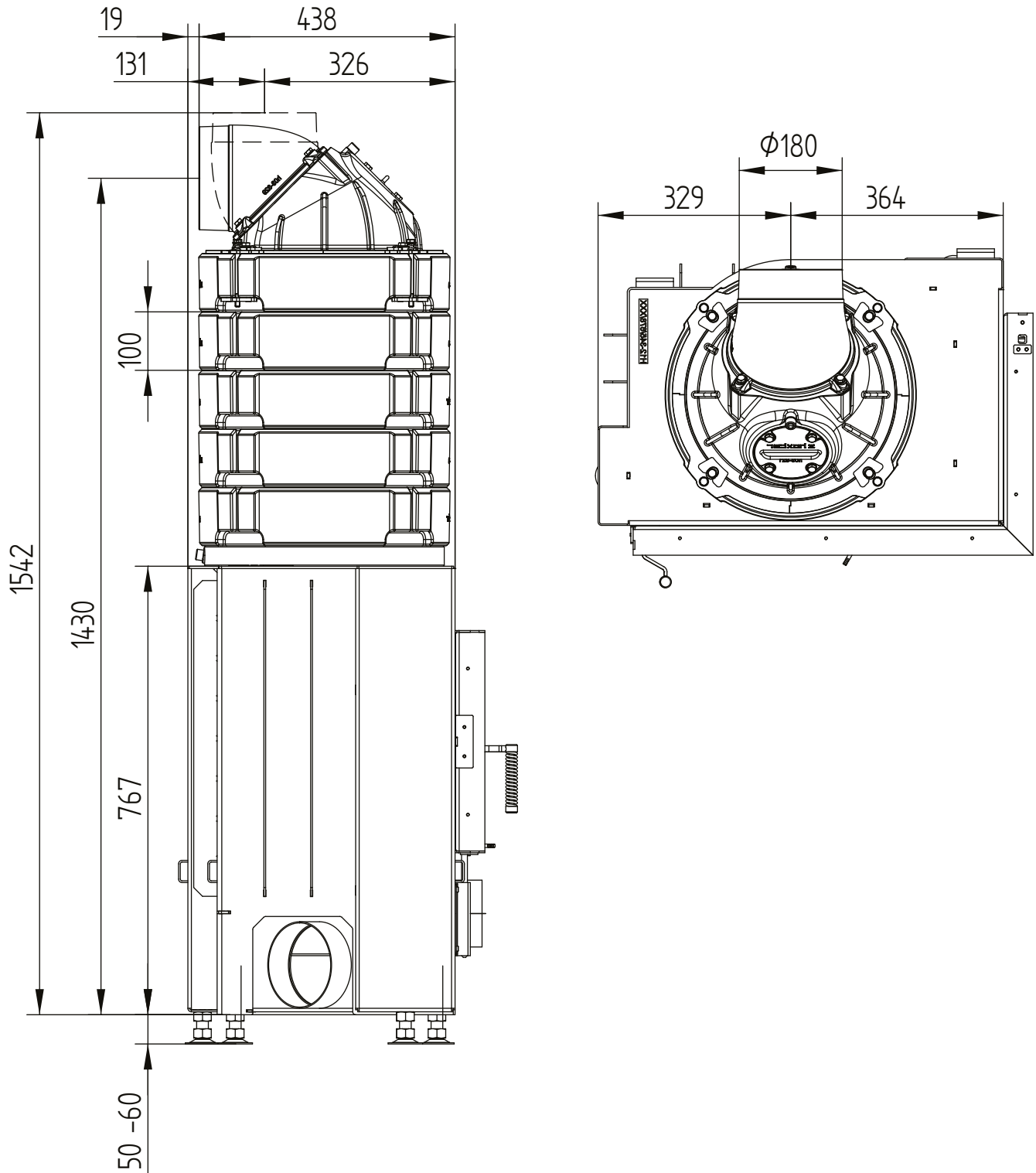


# ECKA 70/40/38R right

Technical data  
Version 2019/08

side opening accumulation rings

M 1:10



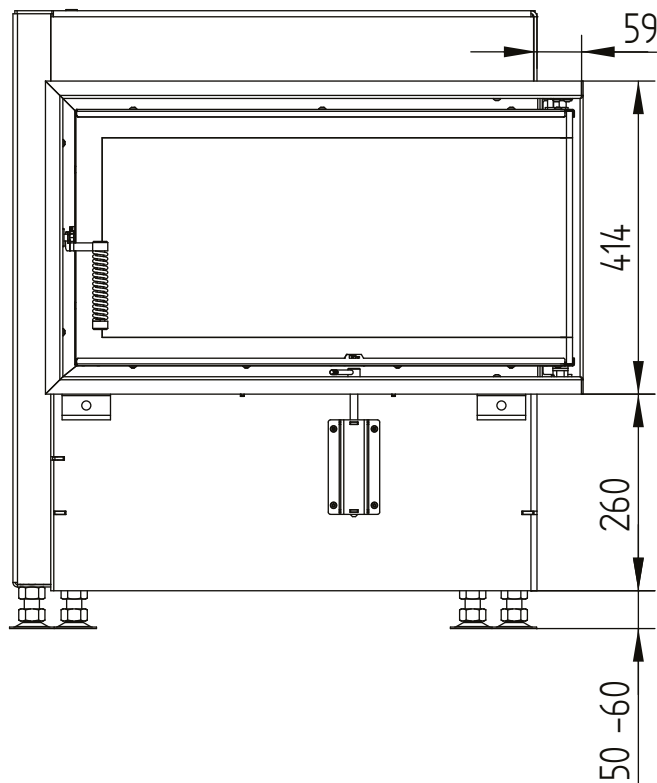
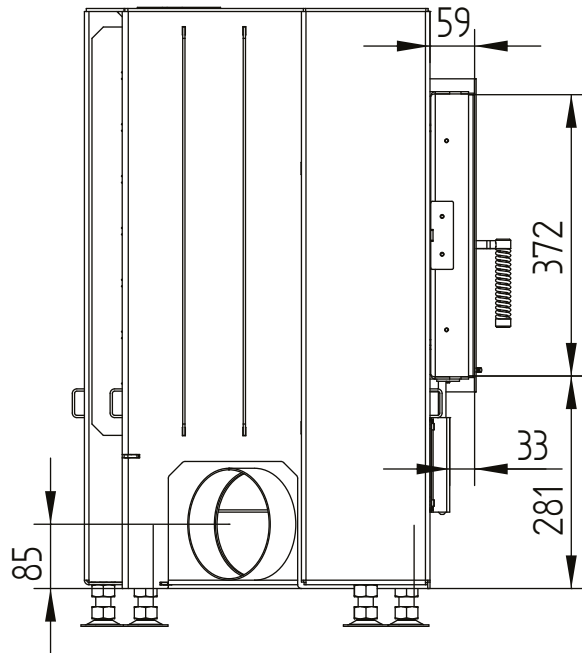


# ECKA 70/40/38R right

Technical data  
Version 2019/08

cover frame 70/40/38 left-right side opening 6sides 60 mm 1 x 90° / air connection

M 1:10

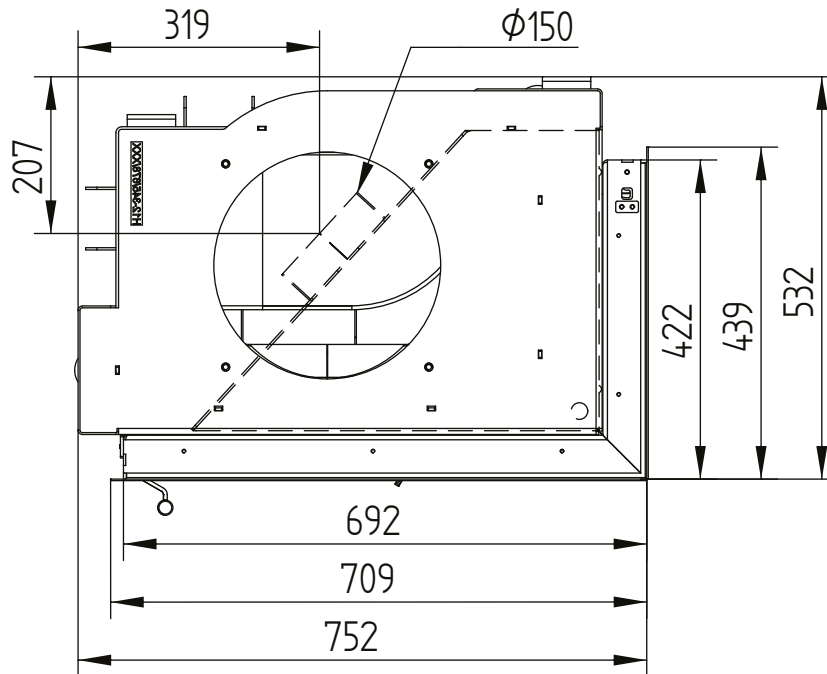


# ECKA 70/40/38R right

Technical data  
Version 2019/08

cover frame 70/40/38 left-right side opening 6sides 60 mm 1 x 90° / air connection

M 1:10

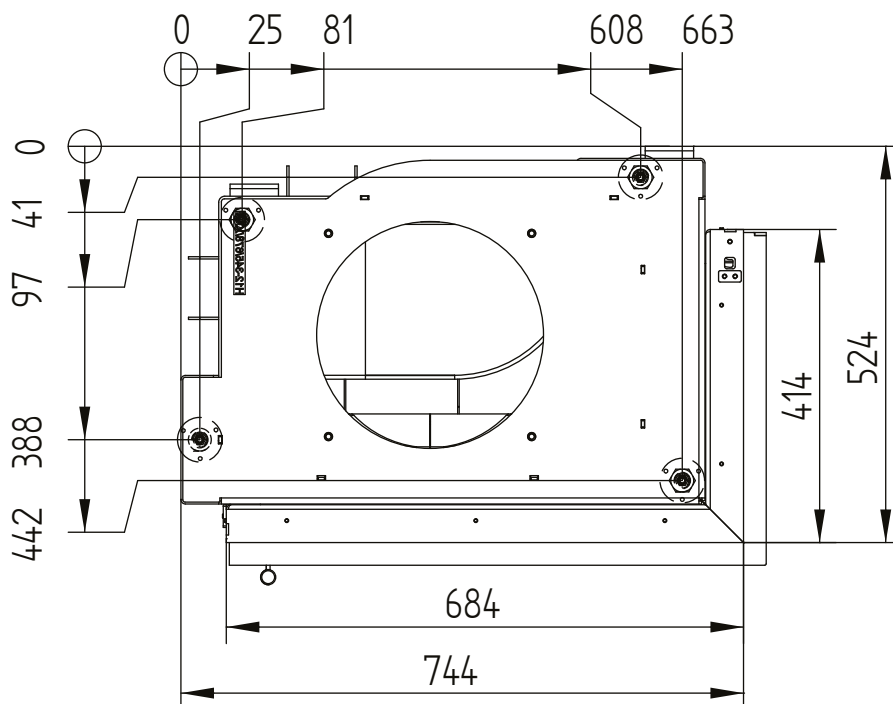
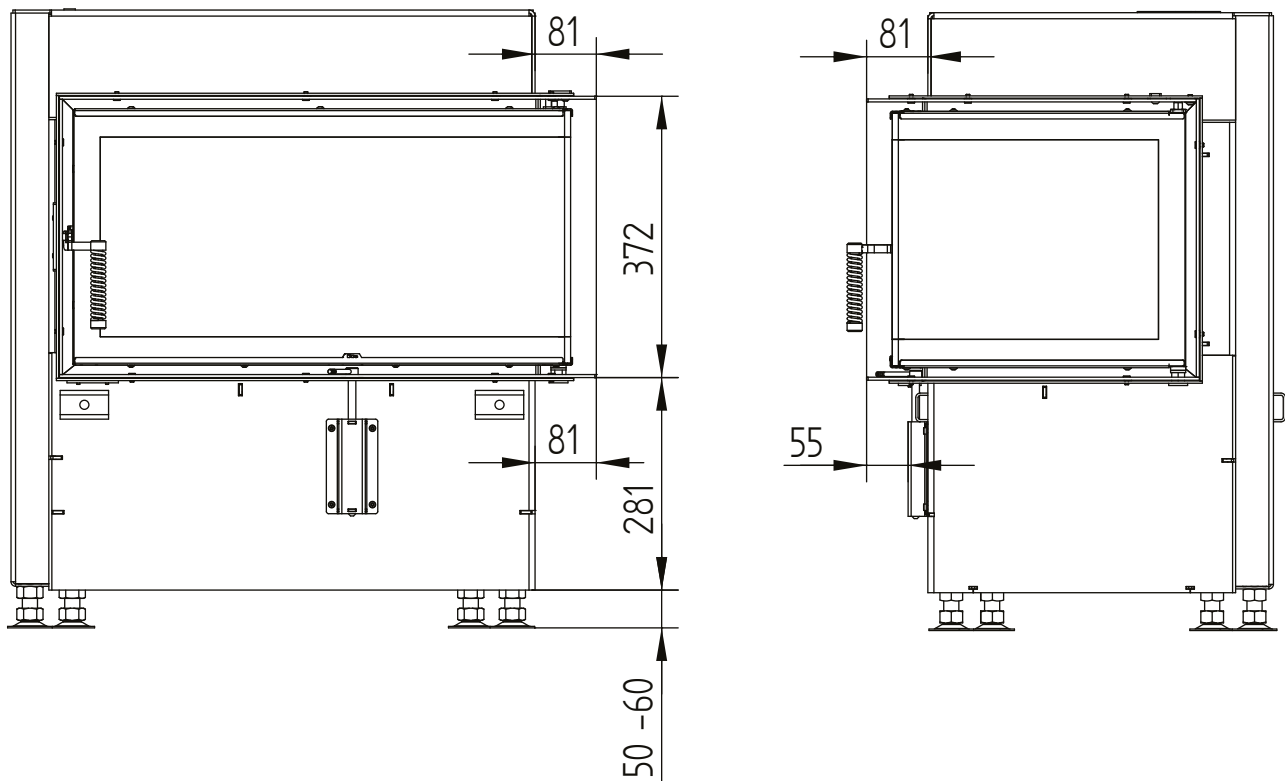


# ECKA 70/40/38R right

Technical data  
Version 2019/08

build-on frame 70/40/38R right side opening 6sides 80 mm / feet

M 1:10



# ECKA 70/40/38LN left

Technical data  
Version 2019/08

	operation when directly connected to chimney		operation when connected accumulation mass		
	cupola	hot air exchanger	cupola	adaptor	
Energy label	<b>A+</b>	<b>A+</b>	<b>A+</b>	<b>A+</b>	
<b>Operating data</b>					
Nominal heat power	7 kW	11 kW	----	----	
Efficiency	> 80 %	> 80 %	----	----	
Consumption of wood	2,1 kg/h	3,2 kg/h	8 kg	5,1 kg	8 kg
Total heat output of the burning chamber	----	----	30 kW	18 kW	30 kW
Mass flow of flue gas	7,3 g/s	7,3 g/s	25 g/s	13,3 g/s	20 g/s
Required chimney pressure	12 Pa	12 Pa	12 Pa	15 Pa	16 Pa
Required amount of combustion air	30 m³/h	40 m³/h	80 m³/h	60 m³/h	80 m³/h
<b>Average flue gas temperature</b>					
on the output	230 °C	248 °C	492 °C	370 °C	465 °C
past 5,1 m of ceramic accumulation system KMS 300 <sup>1</sup>	----	----	240 °C	----	
past accumulation rings (5x acc. ring Ø440mm)	----	----	----	196 °C	----
past accumulation rings (8x acc. ring Ø440mm)	----	----	----	----	250 °C
<b>Heat distribution</b>					
fireplace insert	62–74 %	62–74 %	37 %	33 %	
door glass (single / double)	38 / 26 %	38 / 26 %	38 / 26 %	38 / 26 %	
adjoining accumulation mass	----	----	25–37 %	29–41 %	
<b>Information for ventilated builds</b>					
Minimal grill area supply / outgoing	700 / 850 cm²	950 / 1150 cm²	950 / 1150 cm²	950 / 1150 cm²	
Minimum distance from insulated areas / floor	80 / 0 mm		80 / 0 mm		
Reference insulation <sup>2</sup> ceiling / back wall / side wall / floor	120 / 80 / 80 / 0 mm		120 / 80 / 80 / 0 mm		
Calciumsilicate insulation <sup>3</sup> ceiling / back wall / side wall / floor	90 / 60 / 60 / 0 mm		90 / 60 / 60 / 0 mm		
<b>Information for non-ventilated builds (closed grills)</b>					
Minimum radiant area <sup>4</sup>	4,5 m²		6,5 m²	6,5 m²	
Minimum distance from insulated areas / floor	80 / 20 mm		80 / 20 mm		
Reference insulation <sup>2</sup> ceiling / back wall / side wall / floor	160 / 100 / 100 / 20 mm		160 / 100 / 100 / 20 mm		
Calciumsilicate insulation <sup>3</sup> ceiling / back wall / side wall / floor	120 / 75 / 75 / 20 mm		120 / 75 / 75 / 20 mm		
<b>General technical information</b>					
Total weight / lining weight	ca. 230 / 87 kg		ca. 230 / 87 kg		
Burning chamber dimensions (width x depth)	540 x 305 mm				
Combustion air connection	Ø 150 mm				
Use in non-ventilated accumulation builds according to craft rules	suitable				
Tested according to	EN 13229				
Meets values	1. BlmSchV (Stufe2), 15a BVG				

1 Listed value from testing. For accurate results is evaluation of each system in the Ortner / KOV program necessary.

2 Mineral wool according to AGI-Q 132

3 Example SkamoEnclousure Board 225 kg/m³

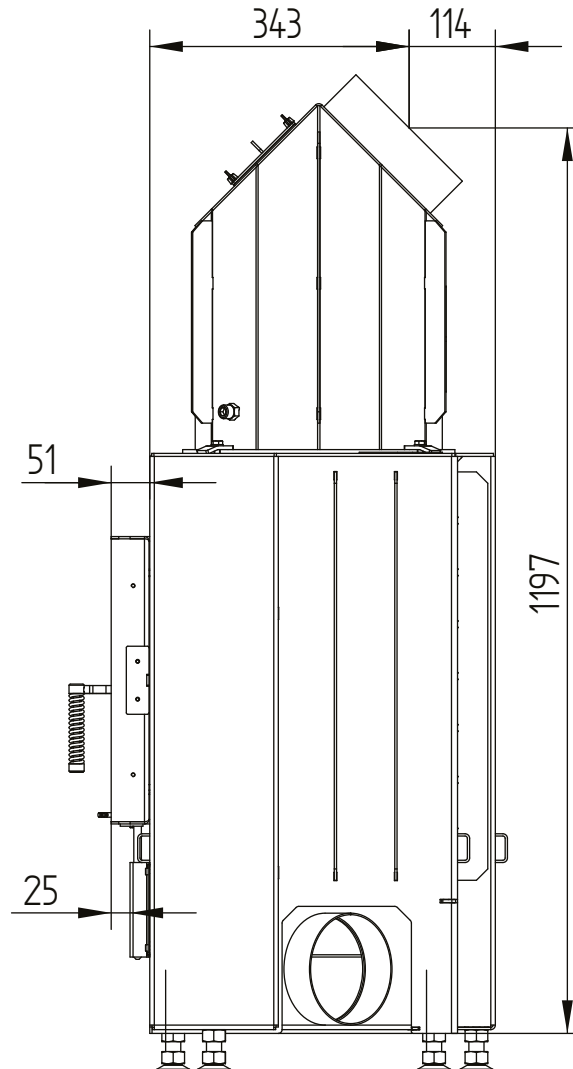
4 Depends on accumulation period and material characteristics. Listed values calculated with chamotte stone thickness 30 mm with radiant area 500 W/m²

# ECKA 70/40/38LN left

Technical data  
Version 2019/08

side opening secondary burning chamber hot air exchanger 45°

M 1:10

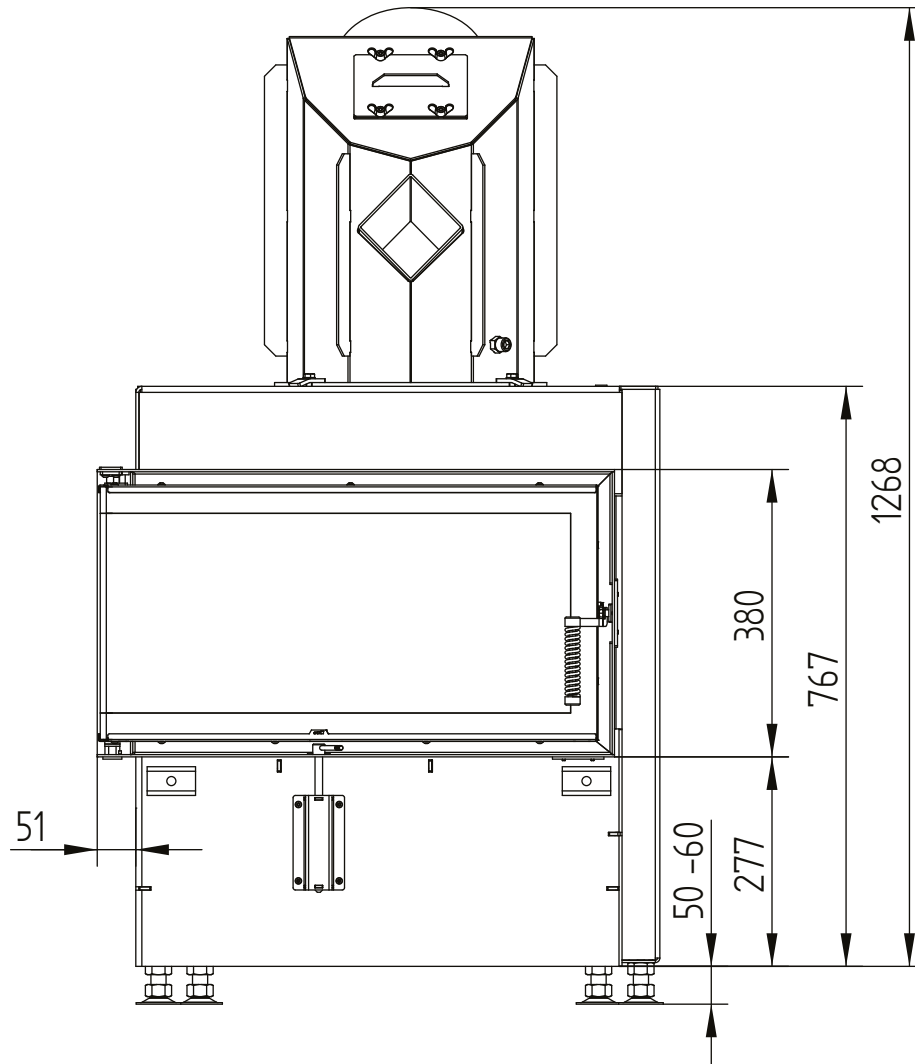


# ECKA 70/40/38LN left

Technical data  
Version 2019/08

side opening secondary burning chamber hot air exchanger 45°

M 1:10

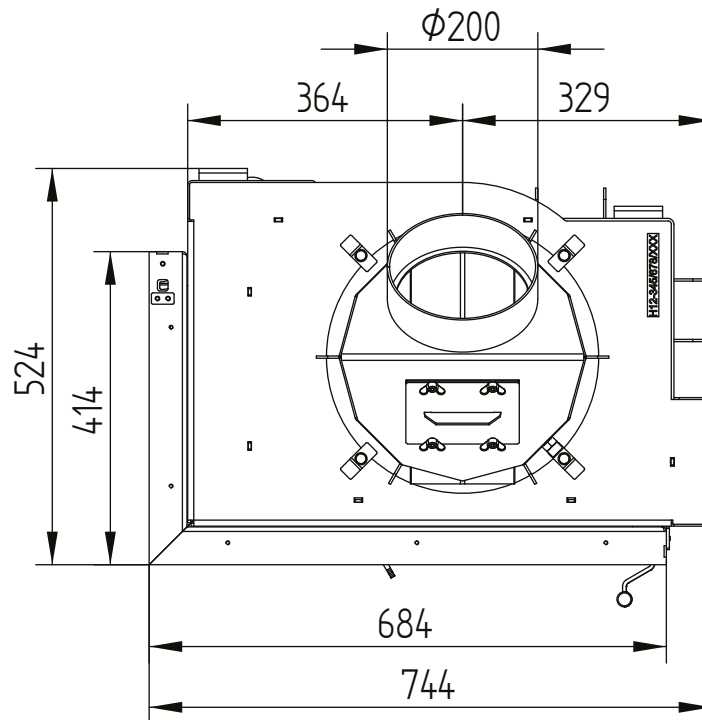


# ECKA 70/40/38LN left

Technical data  
Version 2019/08

side opening secondary burning chamber hot air exchanger 45°

M 1:10

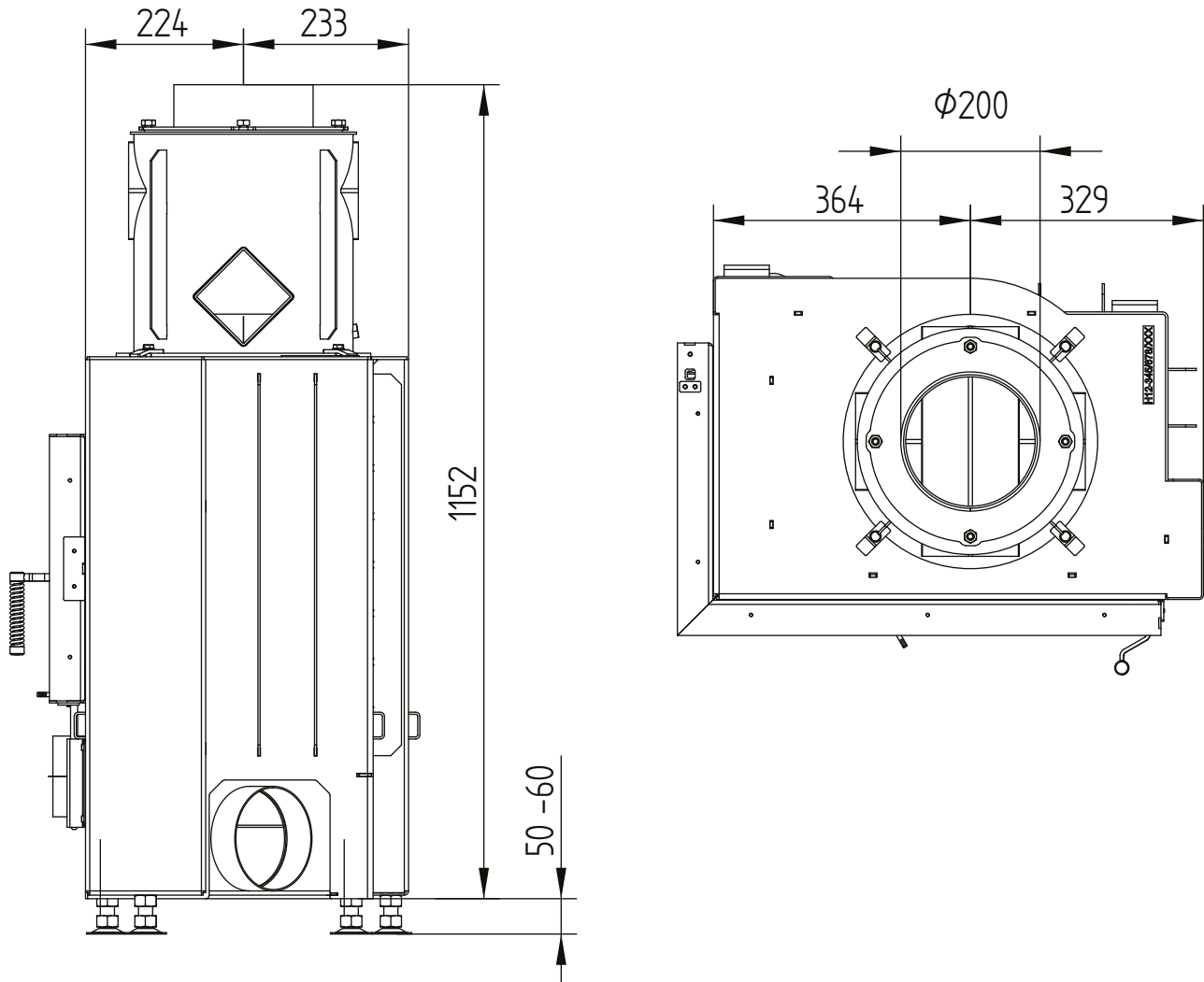


# ECKA 70/40/38LN left

Technical data  
Version 2019/08

side opening secondary burning chamber hot air exchanger vertical

M 1:10



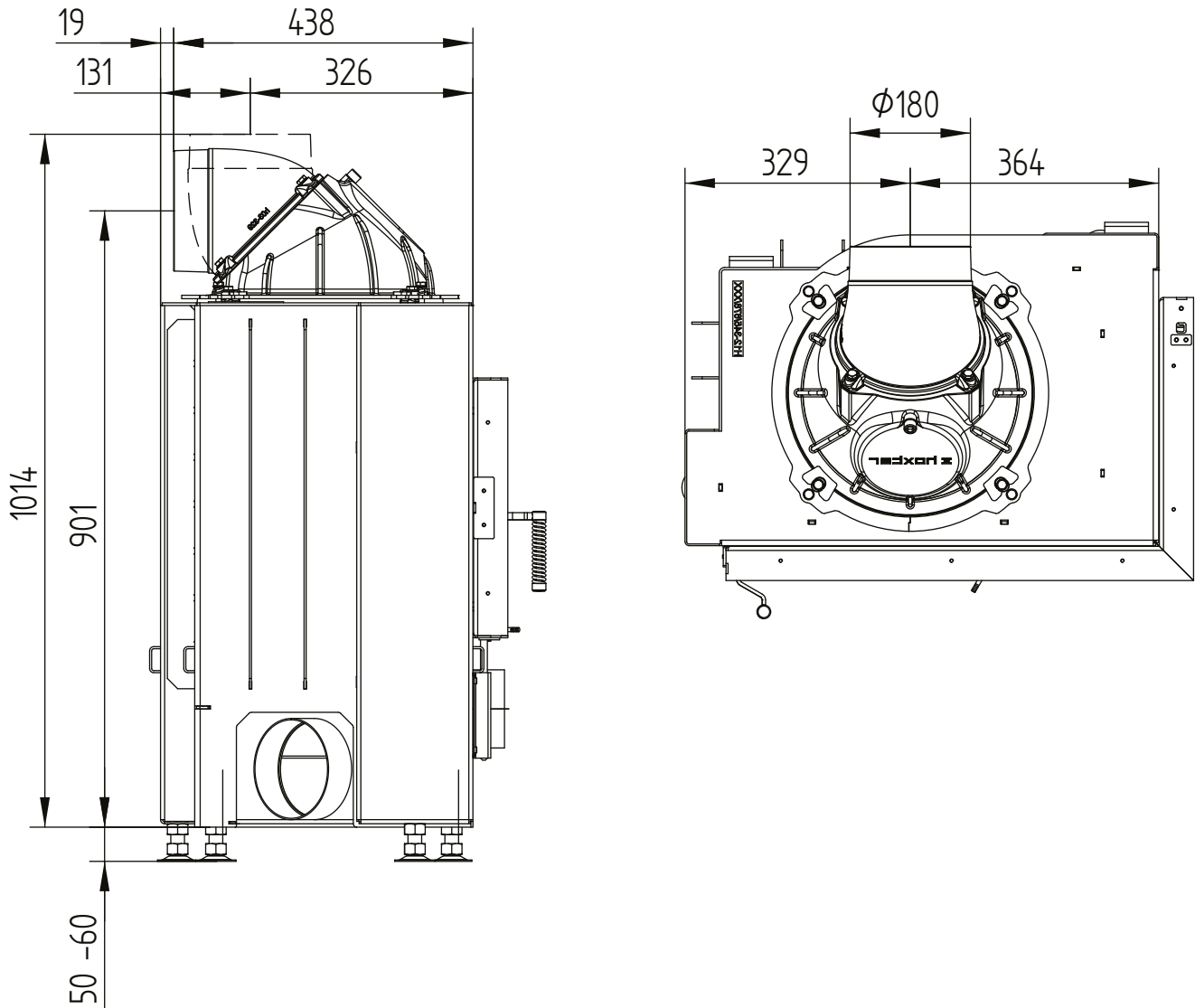


# ECKA 70/40/38LN left

Technical data  
Version 2019/08

side opening secondary burning chamber cupola

M 1:10

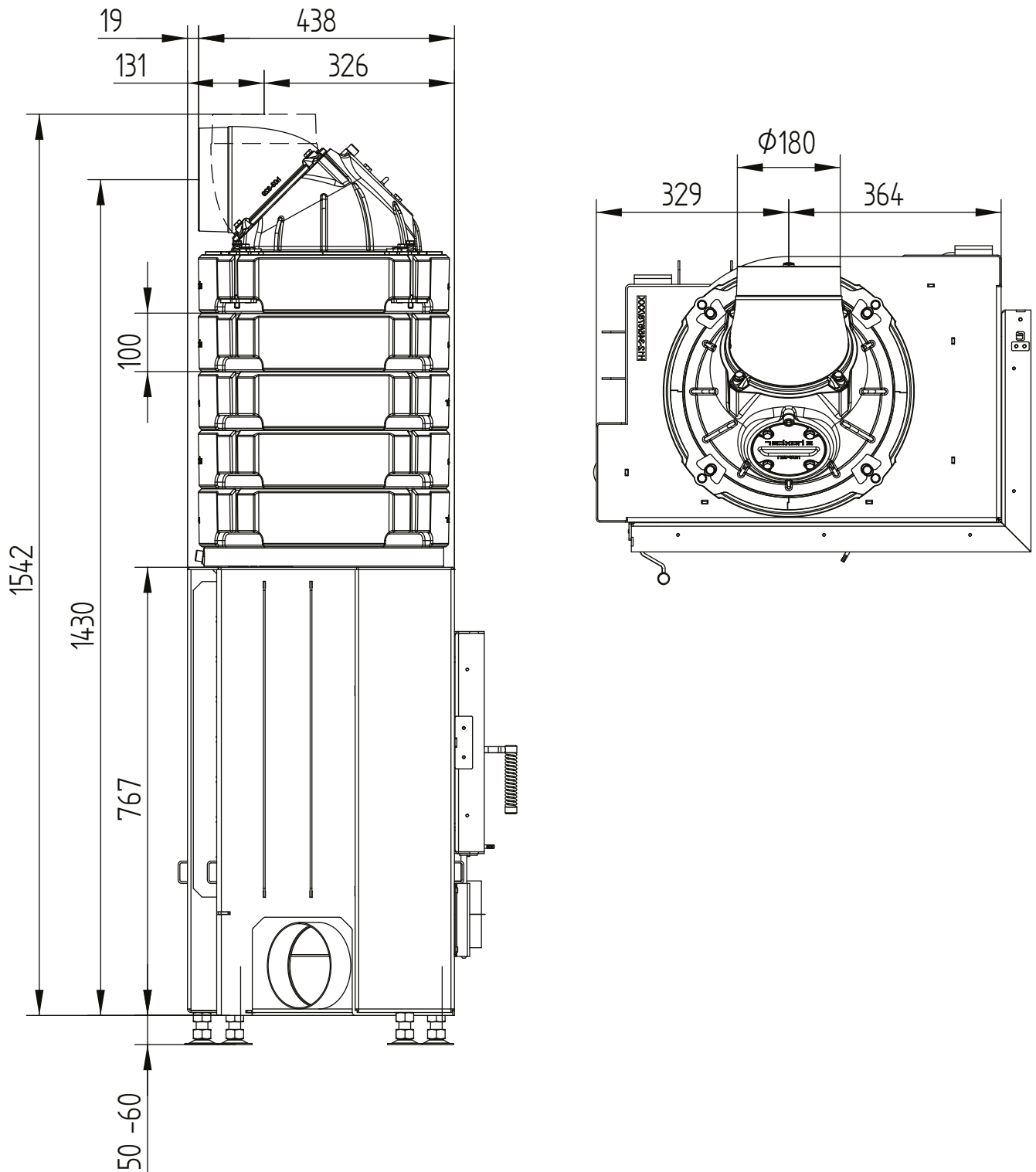


# ECKA 70/40/38LN left

Technical data  
Version 2019/08

side opening secondary burning chamber accumulation rings

M 1:10

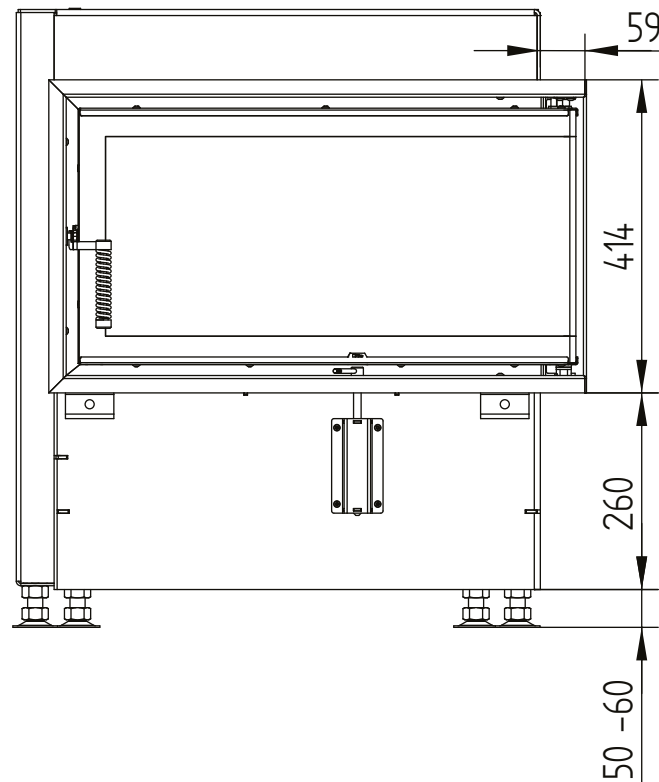
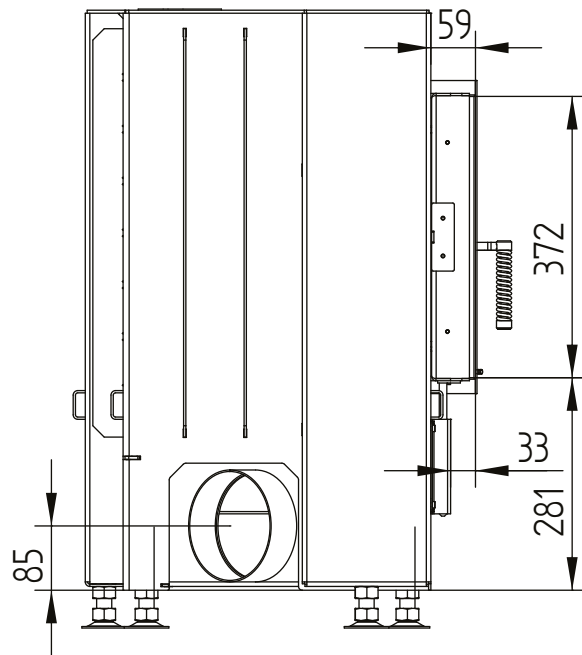


# ECKA 70/40/38LN left

Technical data  
Version 2019/08

cover frame 70/40/38 left-right side opening 6sides 60 mm 1 x 90° / air connection

M 1:10

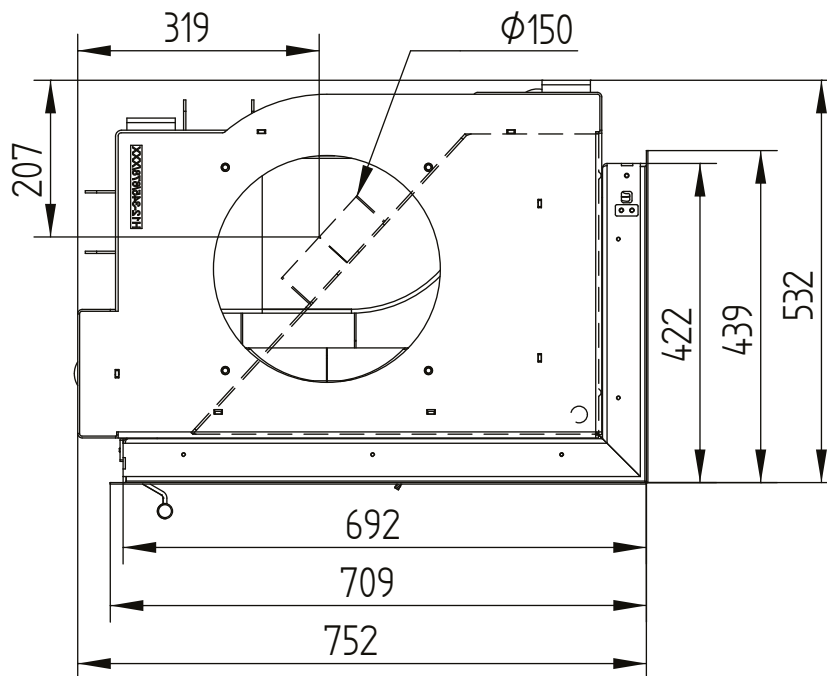


# ECKA 70/40/38LN left

Technical data  
Version 2019/08

cover frame 70/40/38 left-right side opening 6sides 60 mm 1 x 90° / air connection

M 1:10

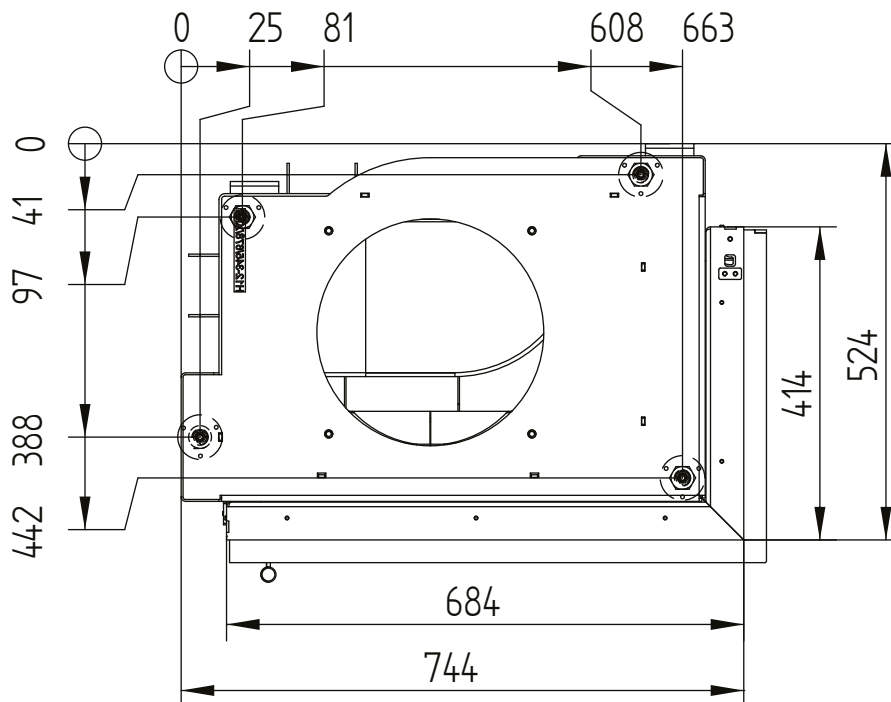
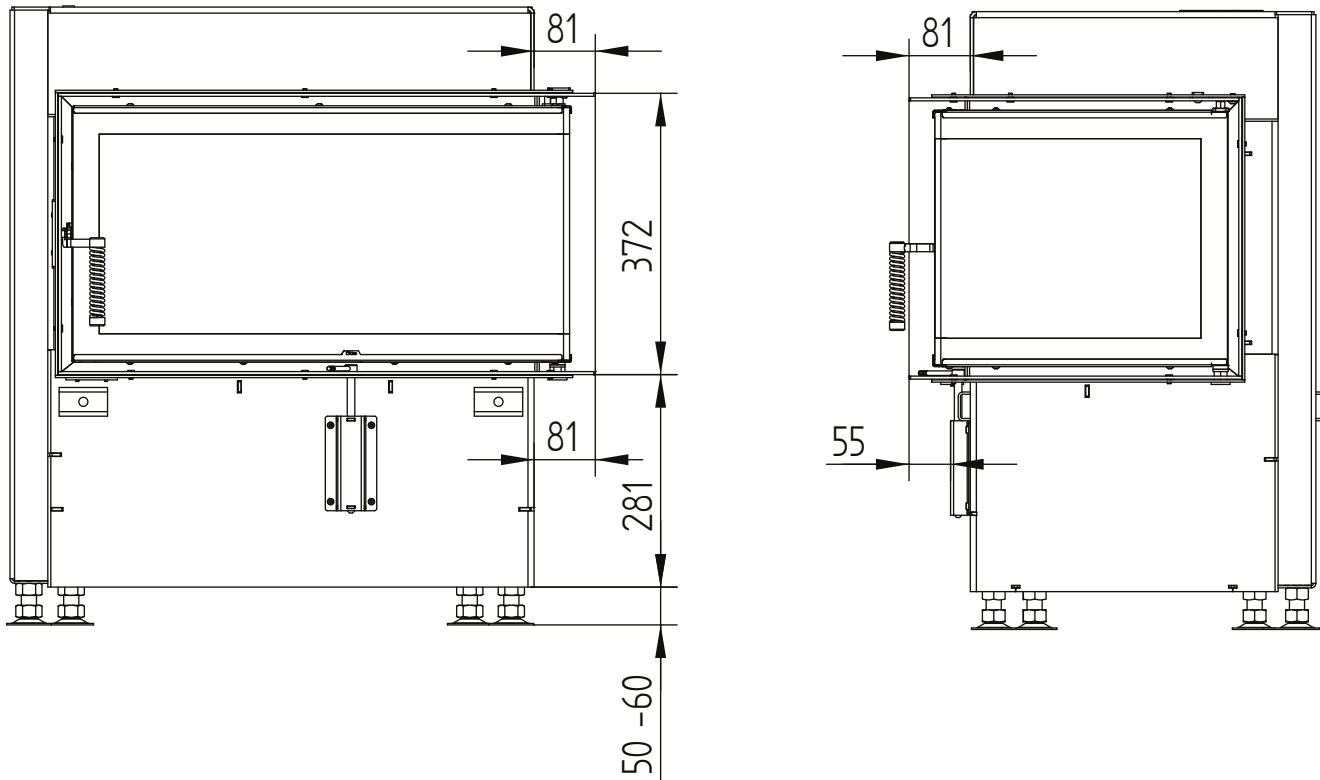


# ECKA 70/40/38LN left

Technical data  
Version 2019/08

build-on frame 70/40/38 left side opening 6sides 80 mm / feet

M 1:10



	operation when directly connected to chimney		operation when connected accumulation mass		
	cupola	hot air exchanger	cupola	adaptor	
Energy label	<b>A+</b>	<b>A+</b>	<b>A+</b>	<b>A+</b>	
<b>Operating data</b>					
Nominal heat power	7 kW	11 kW	----	----	
Efficiency	> 80 %	> 80 %	----	----	
Consumption of wood	2,1 kg/h	3,2 kg/h	8 kg	5,1 kg	8 kg
Total heat output of the burning chamber	----	----	30 kW	18 kW	30 kW
Mass flow of flue gas	7,3 g/s	7,3 g/s	25 g/s	13,3 g/s	20 g/s
Required chimney pressure	12 Pa	12 Pa	12 Pa	15 Pa	16 Pa
Required amount of combustion air	30 m <sup>3</sup> /h	40 m <sup>3</sup> /h	80 m <sup>3</sup> /h	60 m <sup>3</sup> /h	80 m <sup>3</sup> /h
<b>Average flue gas temperature</b>					
on the output	230 °C	248 °C	492 °C	370 °C	465 °C
past 5,1 m of ceramic accumulation system KMS 300 <sup>1</sup>	----	----	240 °C	----	
past accumulation rings (5x acc. ring Ø440mm)	----	----	----	196 °C	----
past accumulation rings (8x acc. ring Ø440mm)	----	----	----	----	250 °C
<b>Heat distribution</b>					
fireplace insert	62–74 %	62–74 %	37 %	33 %	
door glass (single / double)	38 / 26 %	38 / 26 %	38 / 26 %	38 / 26 %	
adjoining accumulation mass	----	----	25–37 %	29–41 %	
<b>Information for ventilated builds</b>					
Minimal grill area supply / outgoing	700 / 850 cm <sup>2</sup>	950 / 1150 cm <sup>2</sup>	950 / 1150 cm <sup>2</sup>	950 / 1150 cm <sup>2</sup>	
Minimum distance from insulated areas / floor	80 / 0 mm		80 / 0 mm		
Reference insulation <sup>2</sup> ceiling / back wall / side wall / floor	120 / 80 / 80 / 0 mm		120 / 80 / 80 / 0 mm		
Calciumsilicate insulation <sup>3</sup> ceiling / back wall / side wall / floor	90 / 60 / 60 / 0 mm		90 / 60 / 60 / 0 mm		
<b>Information for non-ventilated builds (closed grills)</b>					
Minimum radiant area <sup>4</sup>	4,5 m <sup>2</sup>		6,5 m <sup>2</sup>	6,5 m <sup>2</sup>	
Minimum distance from insulated areas / floor	80 / 20 mm		80 / 20 mm		
Reference insulation <sup>2</sup> ceiling / back wall / side wall / floor	160 / 100 / 100 / 20 mm		160 / 100 / 100 / 20 mm		
Calciumsilicate insulation <sup>3</sup> ceiling / back wall / side wall / floor	120 / 75 / 75 / 20 mm		120 / 75 / 75 / 20 mm		
<b>General technical information</b>					
Total weight / lining weight	ca. 230 / 87 kg		ca. 230 / 87 kg		
Burning chamber dimensions (width x depth)	540 x 305 mm				
Combustion air connection	Ø 150 mm				
Use in non-ventilated accumulation builds according to craft rules	suitable				
Tested according to	EN 13229				
Meets values	1. BlmSchV (Stufe2), 15a BVG				

<sup>1</sup> Listed value from testing. For accurate results is evaluation of each system in the Ortnr / KOV program necessary.

<sup>2</sup> Mineral wool according to AGI-Q 132

<sup>3</sup> Example SkamoEnclousure Board 225 kg/m<sup>3</sup>

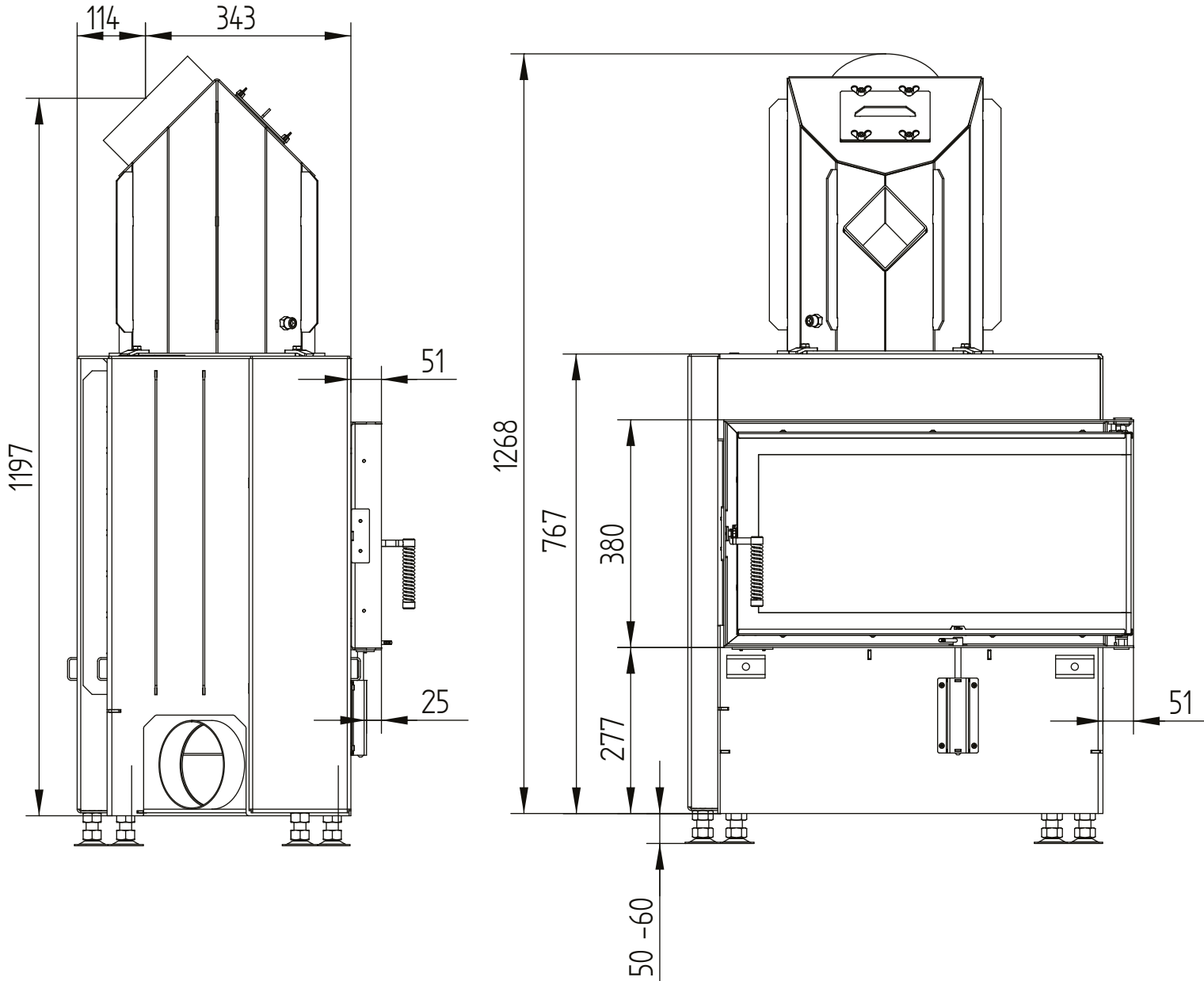
<sup>4</sup> Depends on accumulation period and material characteristics. Listed values calculated with chamotte stone thickness 30 mm with radiant area 500 W/m<sup>2</sup>

# ECKA 70/40/38RN right

Technical data  
Version 2019/08

side opening secondary burning chamber hot air exchanger 45°

M 1:10

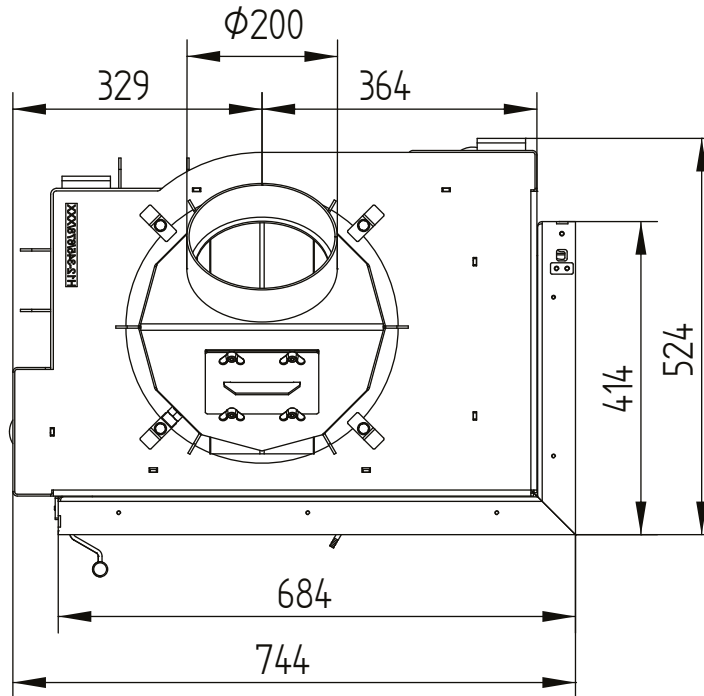


# ECKA 70/40/38RN right

Technical data  
Version 2019/08

side opening secondary burning chamber hot air exchanger 45°

M 1:10



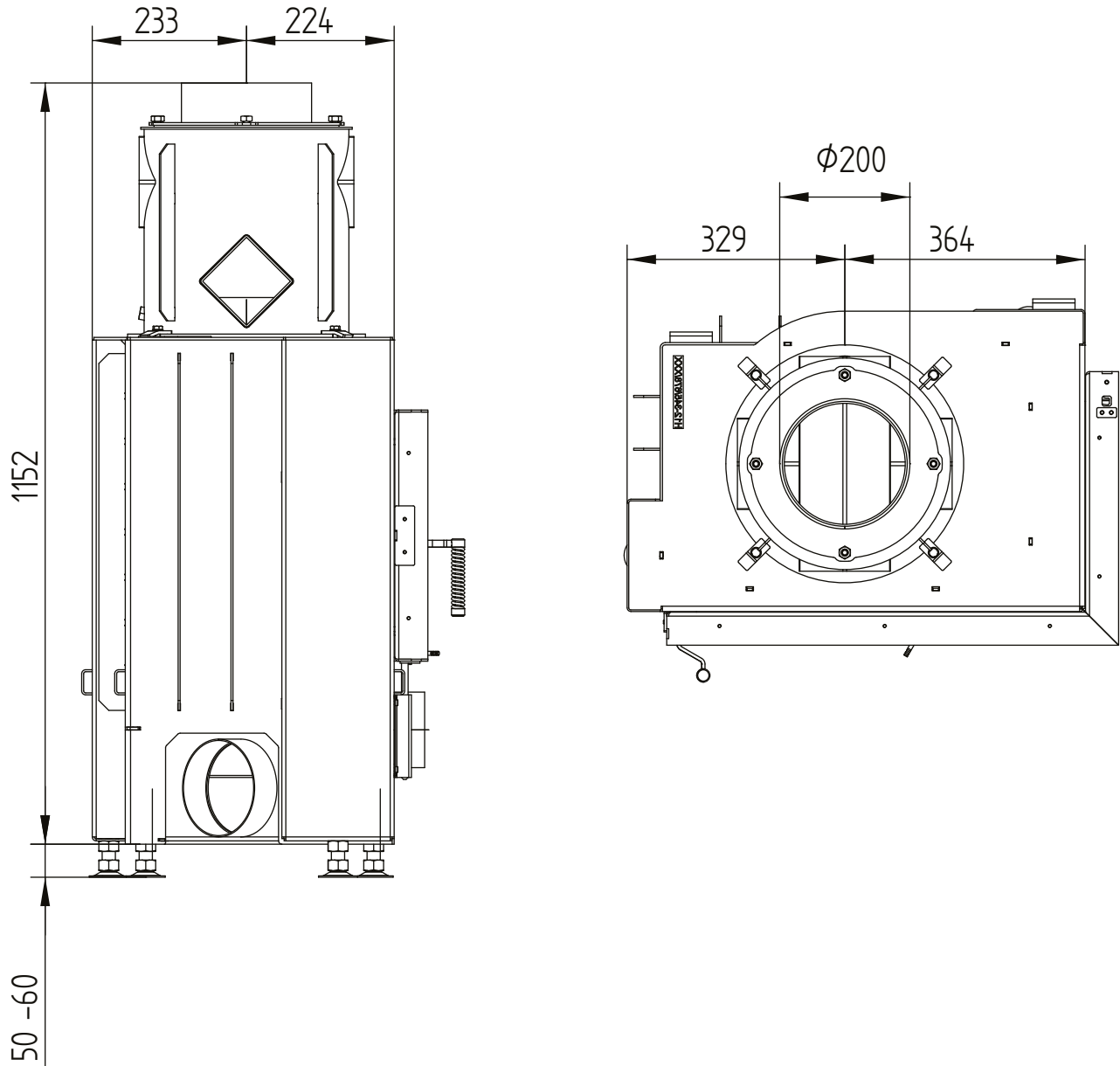


# ECKA 70/40/38RN right

Technical data  
Version 2019/08

side opening secondary burning chamber hot air exchanger vertical

M 1:10

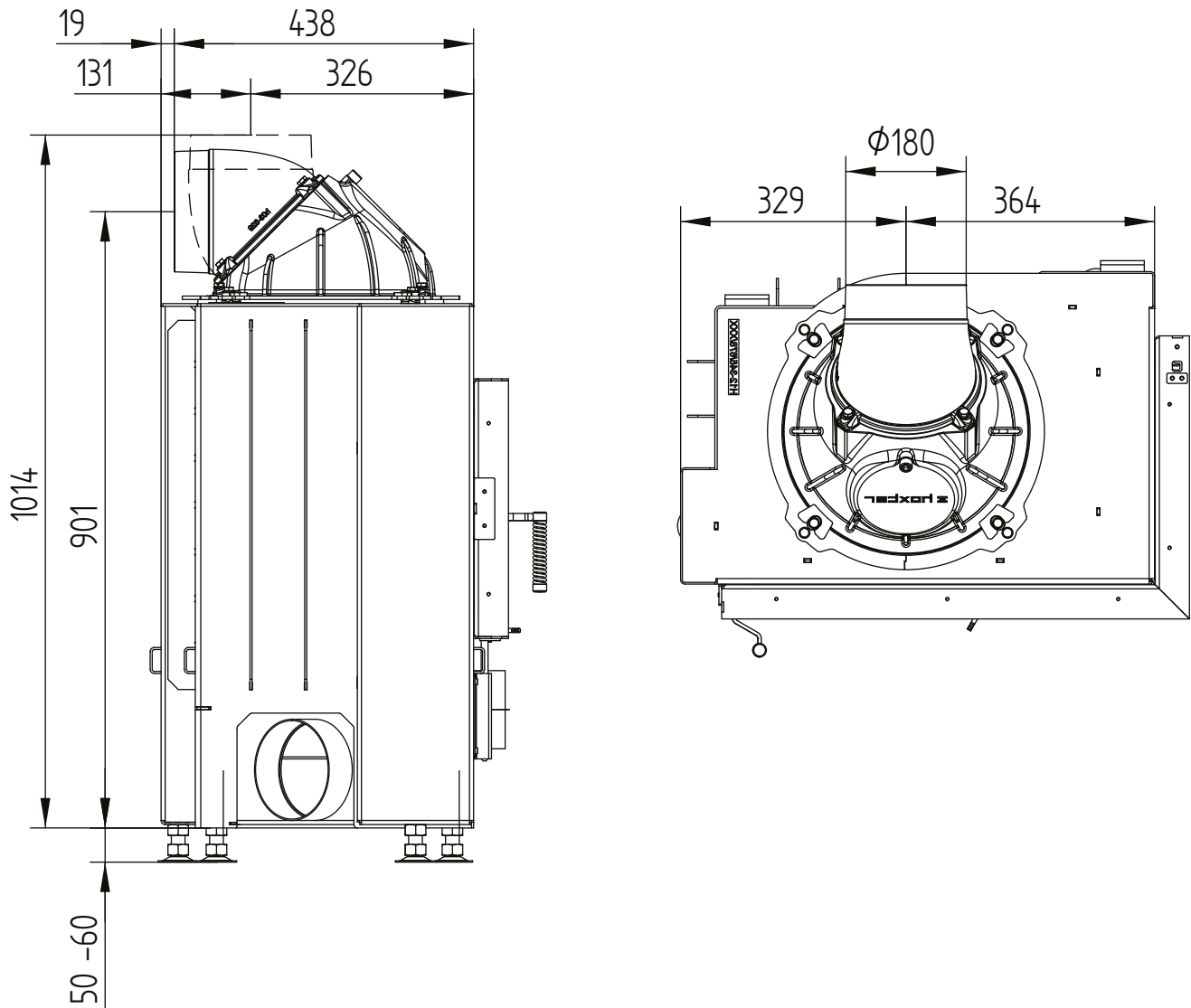


# ECKA 70/40/38RN right

Technical data  
Version 2019/08

side opening secondary burning chamber cupola

M 1:10

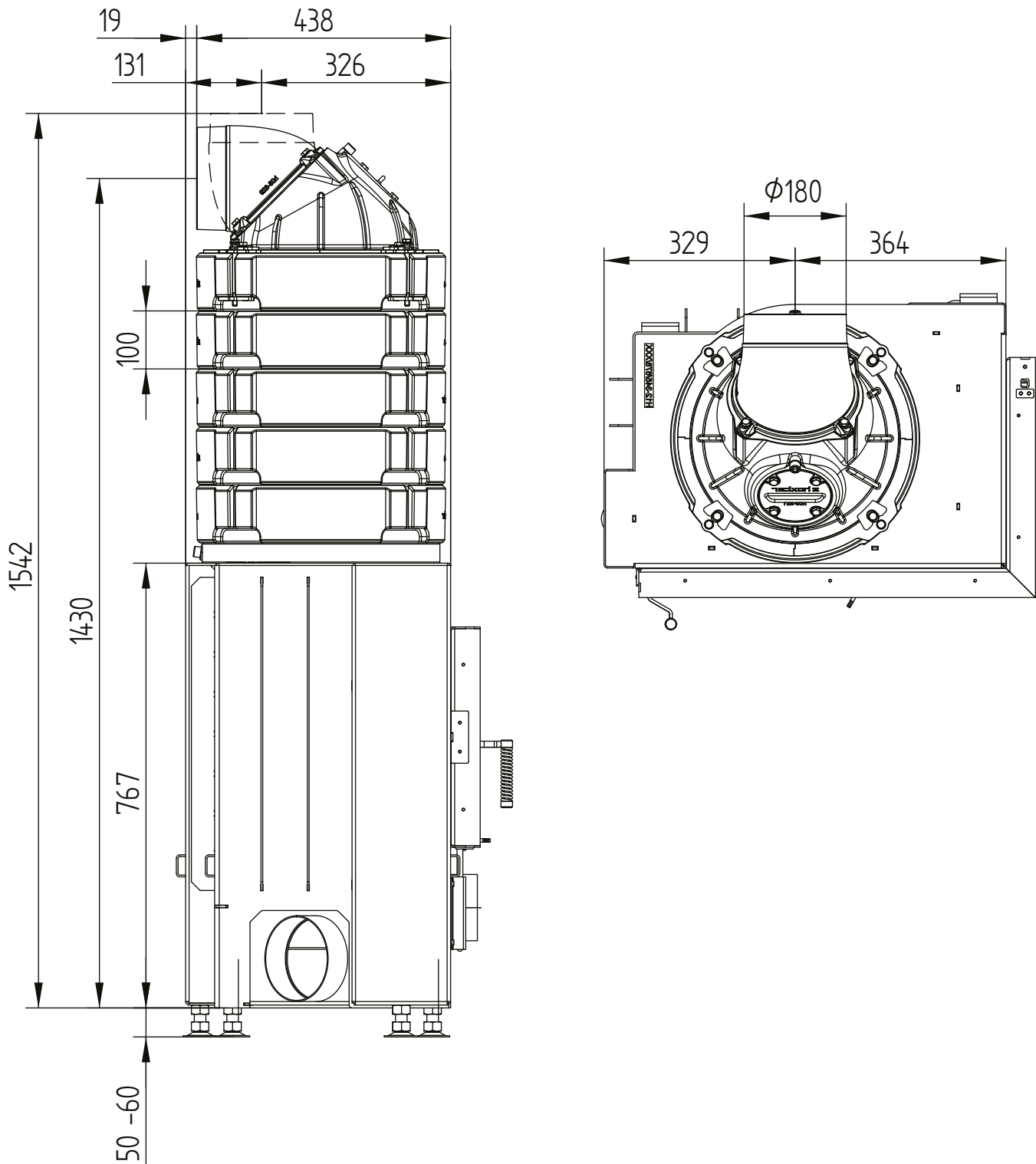


# ECKA 70/40/38RN right

Technical data  
Version 2019/08

side opening secondary burning chamber accumulation rings

M 1:10

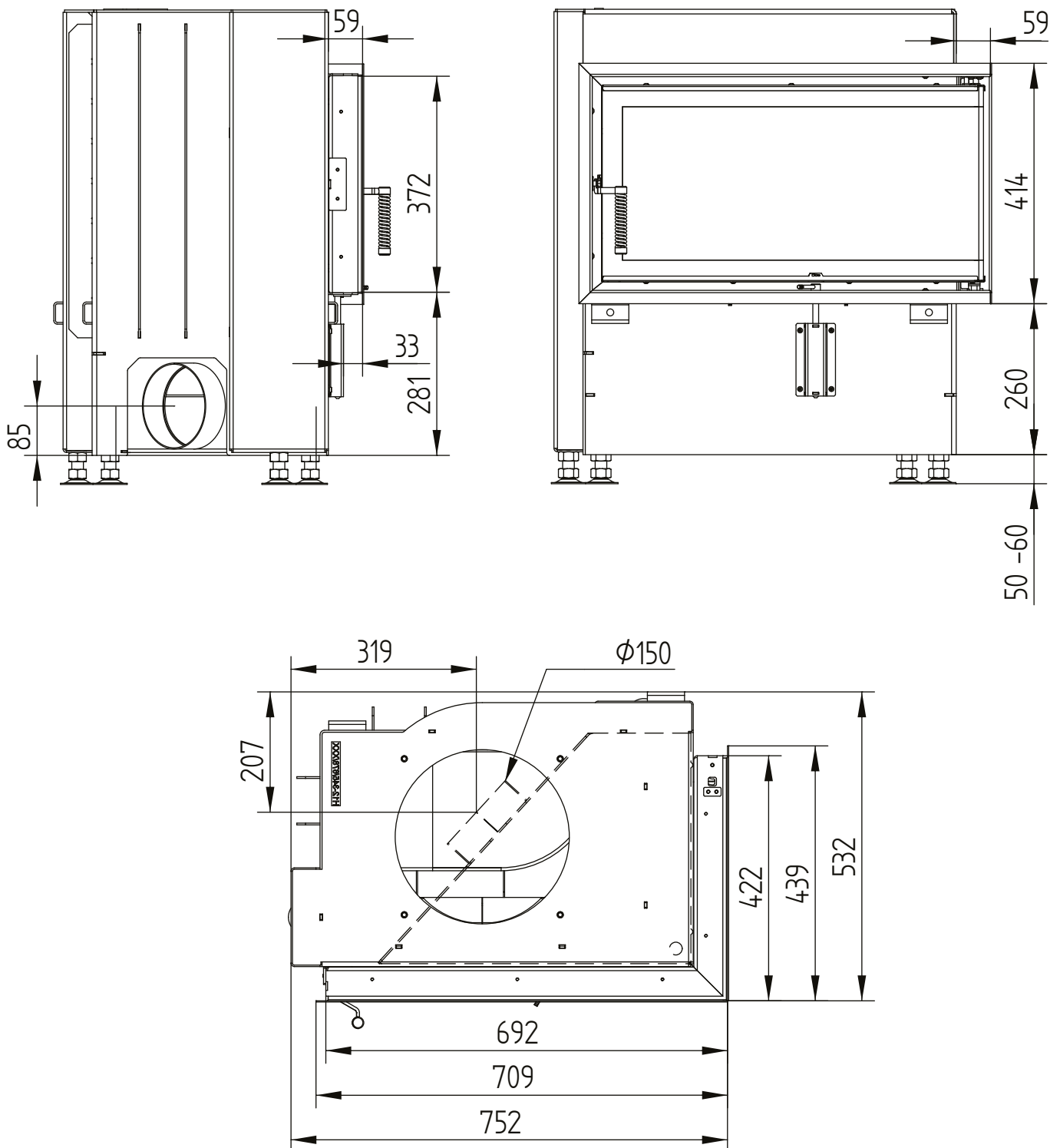


# ECKA 70/40/38RN right

Technical data  
Version 2019/08

cover frame 70/40/38 left-right side opening 6sides 60 mm 1 x 90° / air connection

M 1:10



# ECKA 70/40/38RN right

Technical data  
Version 2019/08

build-on frame 70/40/38R right side opening 6sides 80 mm / feet

M 1:10

