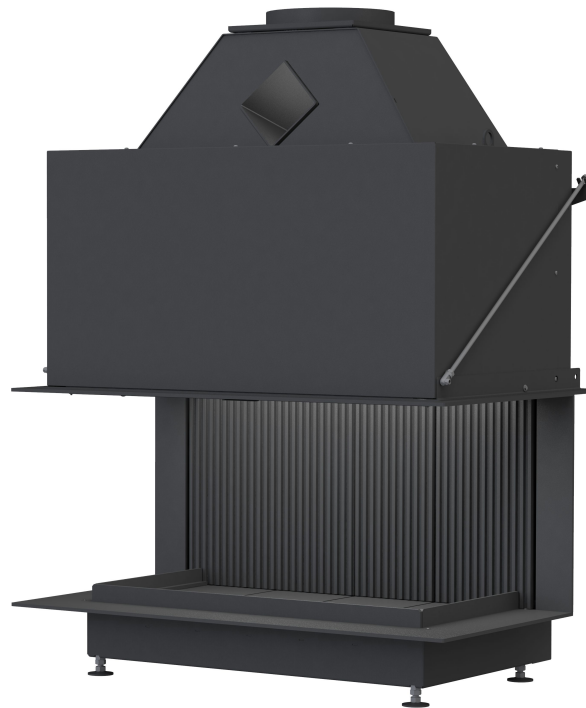


OPEN FIREPLACES FROM BRUNNER



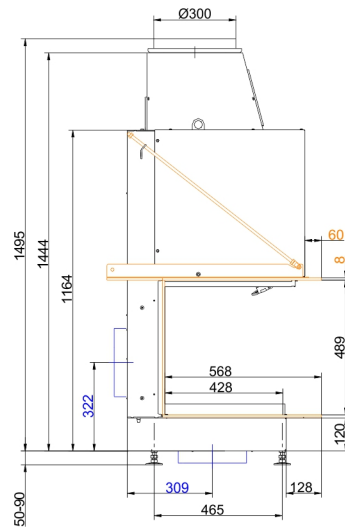
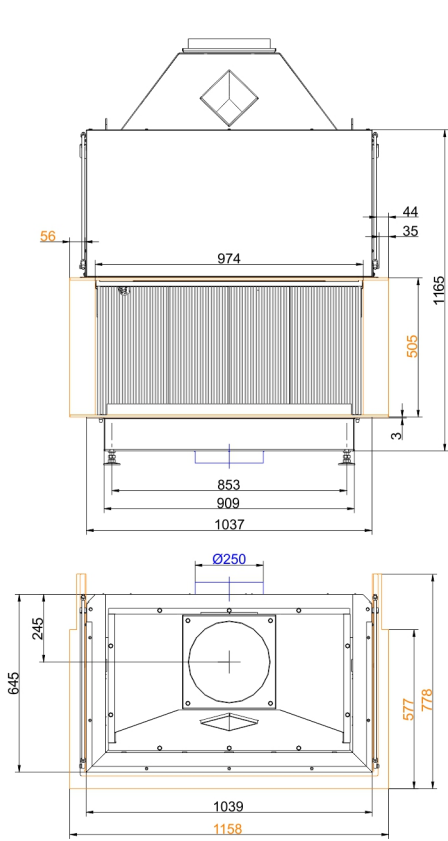
## Urfeuer® Panorama 50/44/88/44

State: 2018-04-11

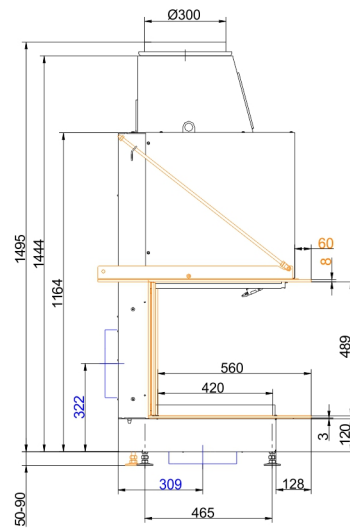
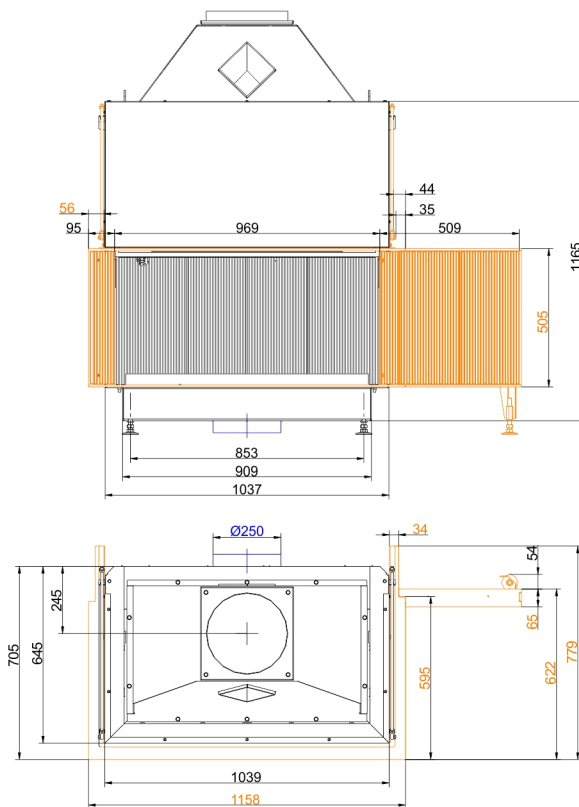


**BRUNNER**®  
*made in germany.*

# Dimension sheets - Urfeuer® Panorama 50/44/88/44

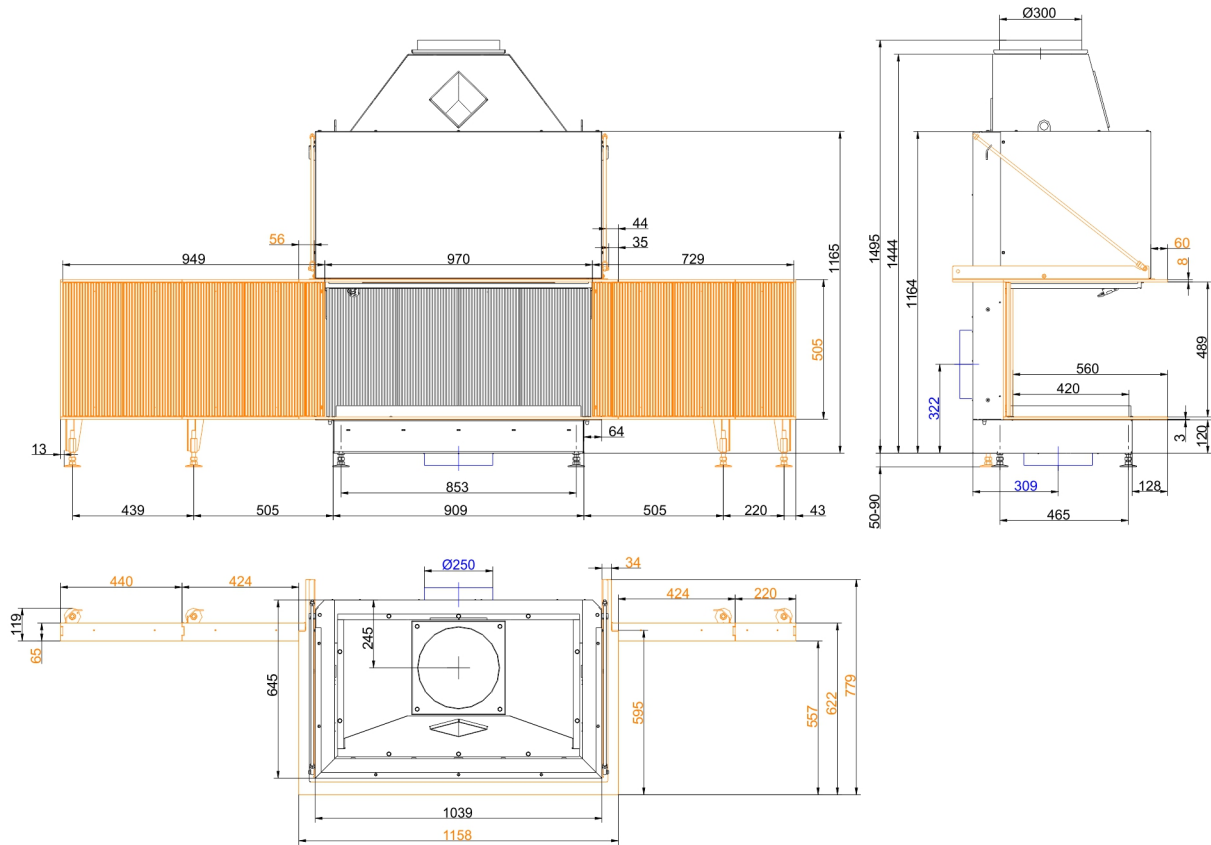


... with mounting frame

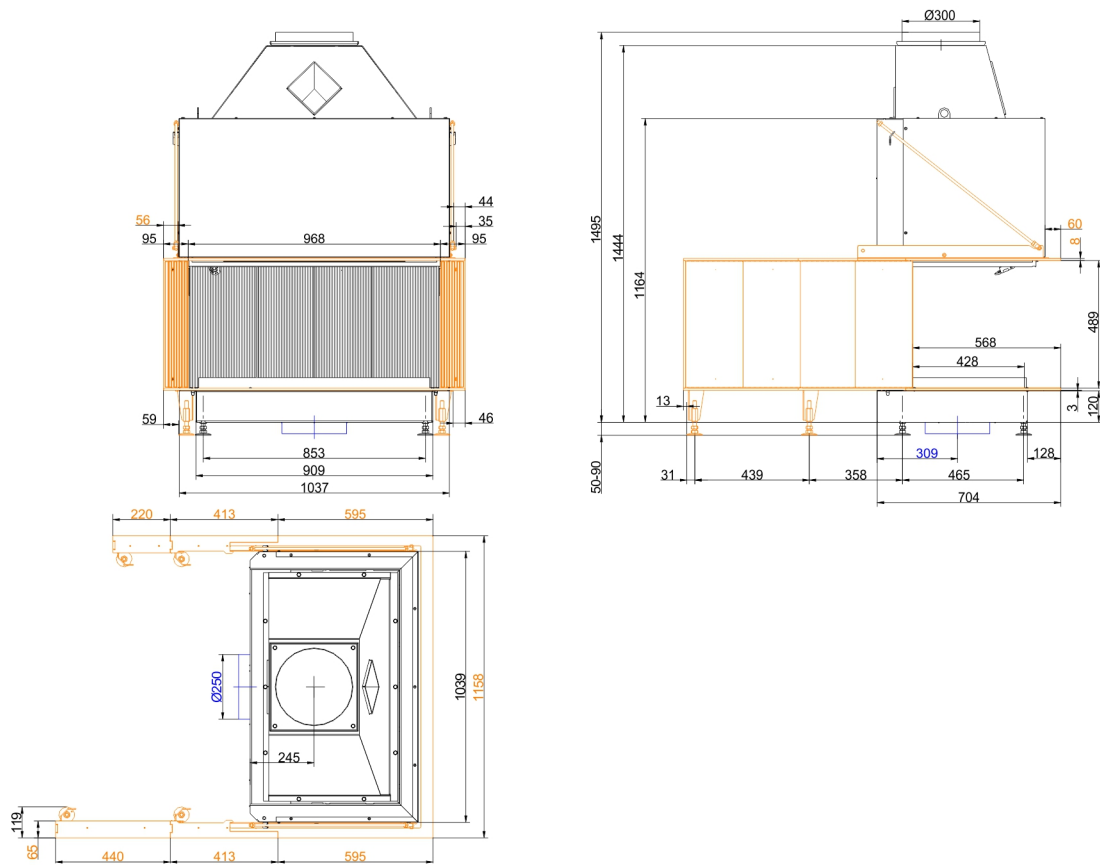


... with mounting frame R2, 90°

# Dimension sheets - Urfeuer® Panorama 50/44/88/44



... with mounting frame L4, 90° / R3, 90°



... with mounting frame L4, 0° / R3, 0°

We suggest for CAD planing Palette CAD. Permanent updated drawings: [www.brunner.de](http://www.brunner.de)  
 Frames / front versions are marked colored.

## Planning and installation - Urfeuer® Panorama 50/44/88/44

Tested according to		EN 13229 W
EEI		53.5
<b>Data for functional demonstration</b>		
Flue gas mass flow	g/s	160
Outlet temperature	°C	105
Necessary supply pressure	Pa	6
Total fuel load	kg	2 - 5
Combustion air consumption	m³/h	495
Combustion air connection Ø	mm	250
<b>Cross-section of gratings</b>		
Convection air	cm²	500
Supply air	cm²	500
<b>Min. distances of fireplace without / with convection casing</b>		
to insulation layer	cm	6
to mounting floor	cm	2.5
<b>Thermal insulation without / with air gratings</b>		
Mounting wall	cm	10
Ceiling	cm	14
Brick lining for combustible wall	cm	10
<b>Weight</b>		
Fireplace / combustion chamber	kg	212 / 90 / -

Ulrich Brunner GmbH  
Zellhuber Ring 17 - 18  
D-84307 Eggenfeldern  
Telefonat: +49 / (0)87 21 / 7 71-0  
Telefax: +49 / (0)87 21 / 7 71-100  
info@brunner.de | www.brunner.de

**BRUNNER**®  
*made in germany.*