

OPEN FIREPLACES FROM BRUNNER



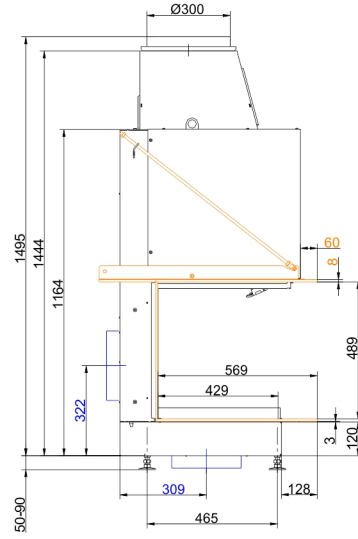
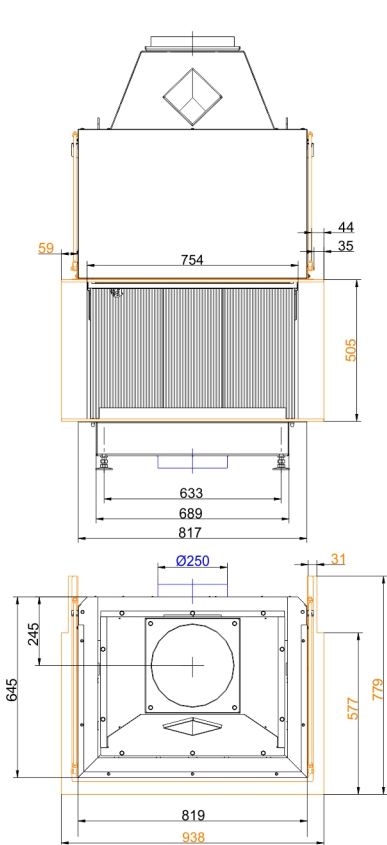
Urfeuer® Panorama 50/44/66/44

State: 2018-04-11

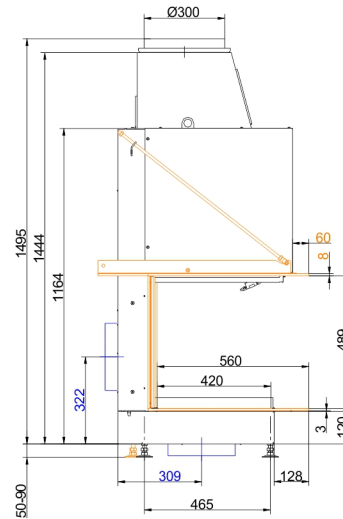
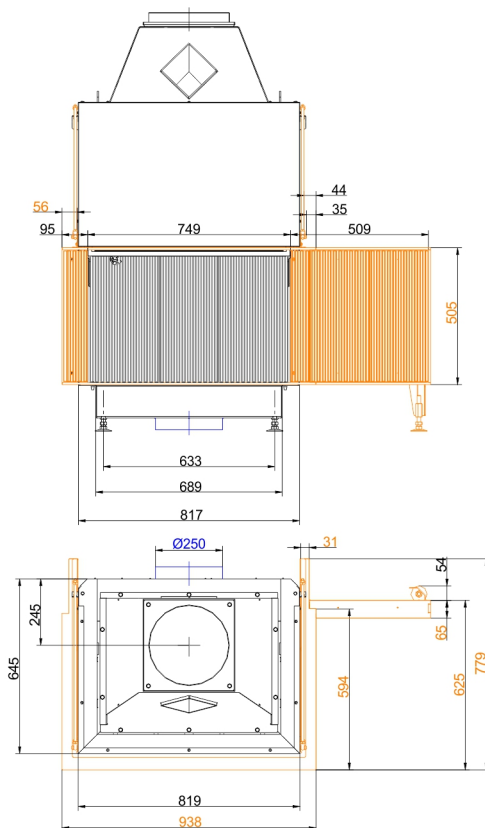


BRUNNER®
made in germany.

Dimension sheets - Urfeuer® Panorama 50/44/66/44

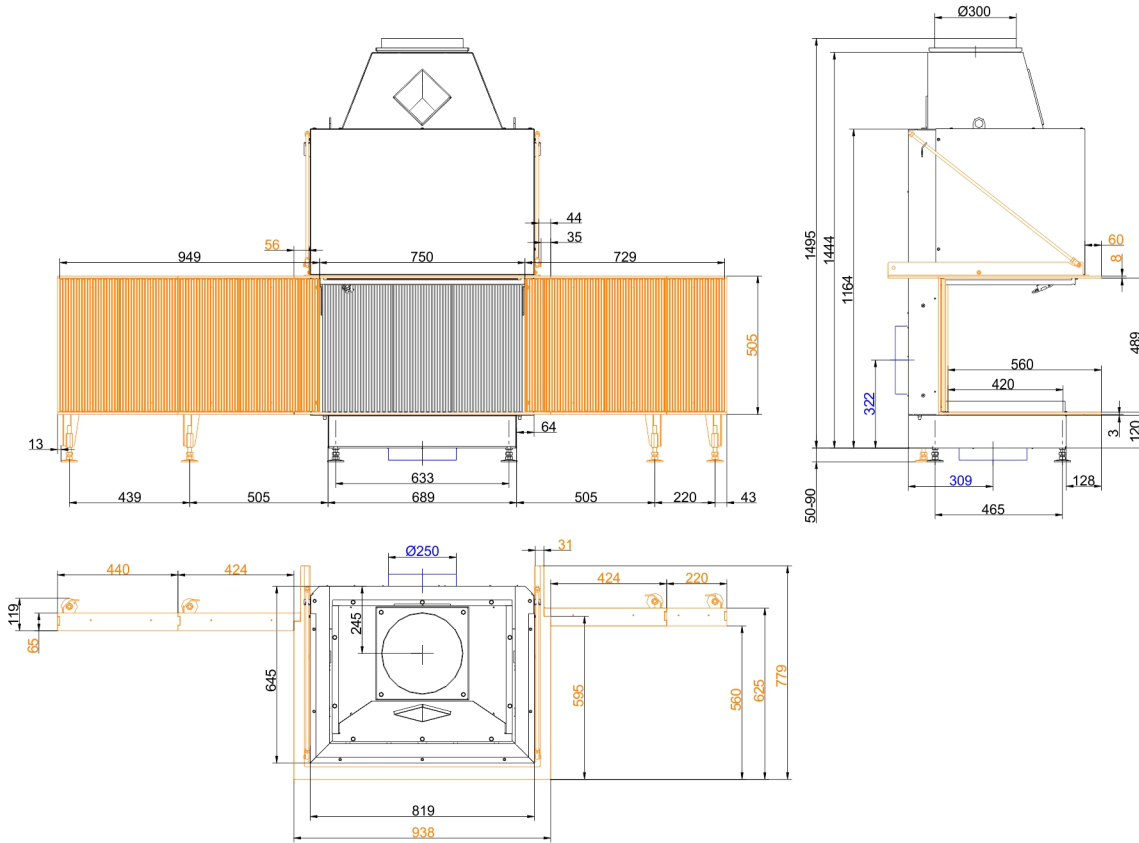


... with mounting frame

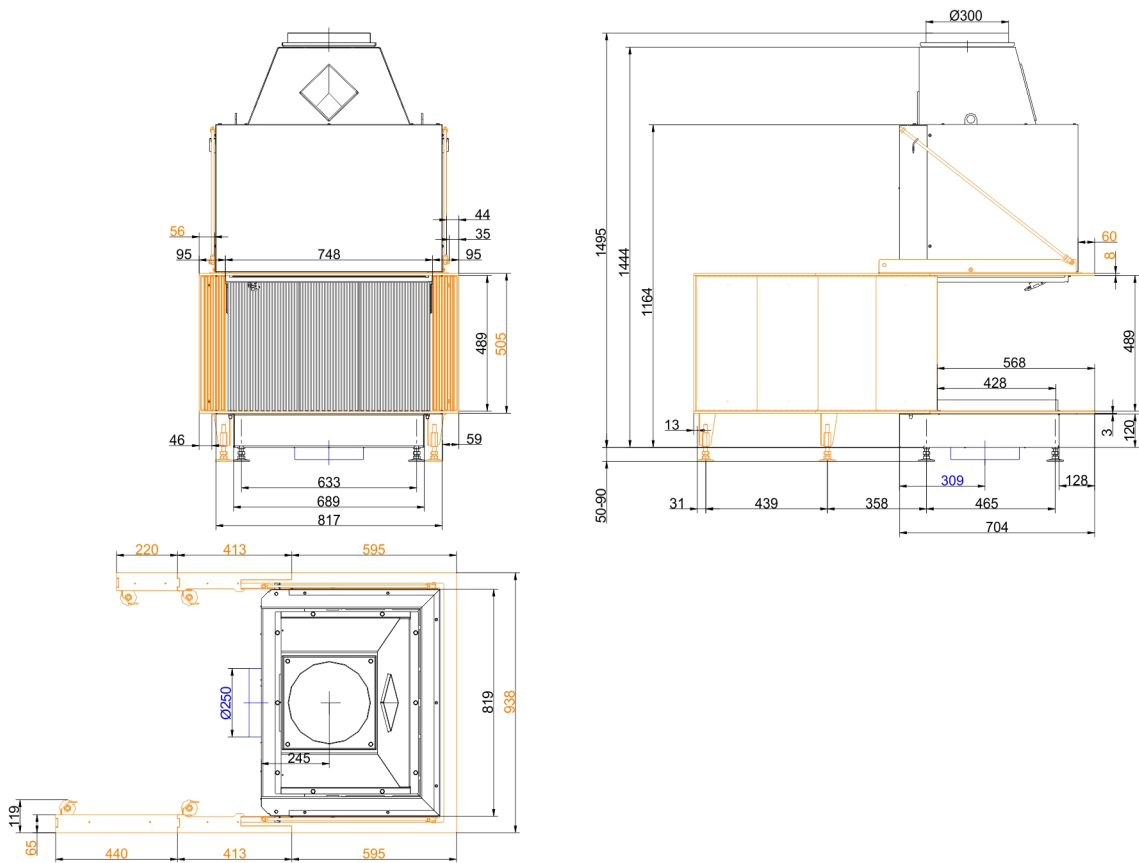


... with mounting frame R2, 90°

Dimension sheets - Urfeuer® Panorama 50/44/66/44



... with mounting frame L4, 90° / R3, 90°



... with mounting frame L4, 0° / R3, 0°

We suggest for CAD planing Palette CAD. Permanent updated drawings: www.brunner.de
 Frames / front versions are marked colored.

Planning and installation - Urfeuer® Panorama 50/44/66/44

Tested according to		EN 13229 W
EEI		53.5
Data for functional demonstration		
Flue gas mass flow	g/s	90
Outlet temperature	°C	90
Necessary supply pressure	Pa	6
Total fuel load	kg	2 - 4
Combustion air consumption	m³/h	276
Combustion air connection Ø	mm	250
Cross-section of gratings ¹⁾		
Convection air	cm²	500
Supply air	cm²	500
Min. distances of fireplace without / with convection casing		
to insulation layer	cm	6
to mounting floor	cm	2.5
Thermal insulation without / with air gratings ²⁾		
Mounting wall	cm	10
Ceiling	cm	14
Brick lining for combustible wall	cm	10
Weight		
Fireplace / combustion chamber	kg	180 / 68 / -

1) for fireplace inserts / flue gas pipe / metallic reheating surface

2) Values determined with upper air sections; stove cladding is heat emitting.