

OPEN FIREPLACES FROM BRUNNER



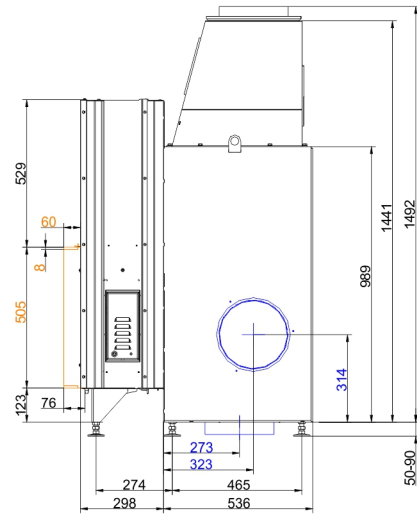
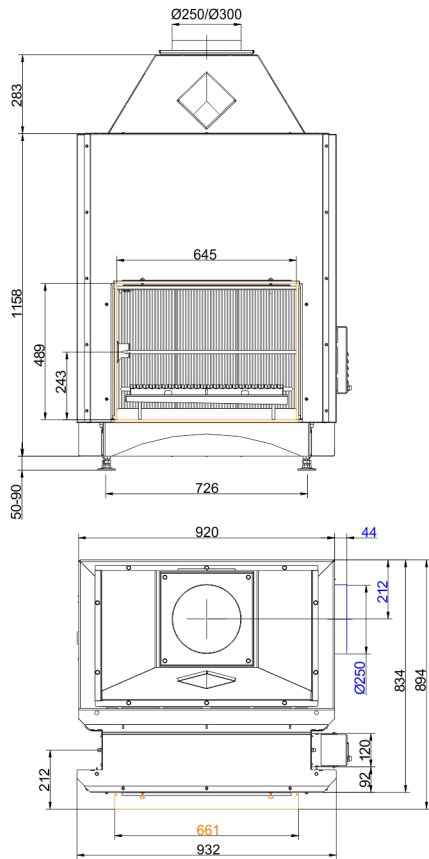
Urfeuer® 50/66 Küchenkamin

State: 2018-04-11

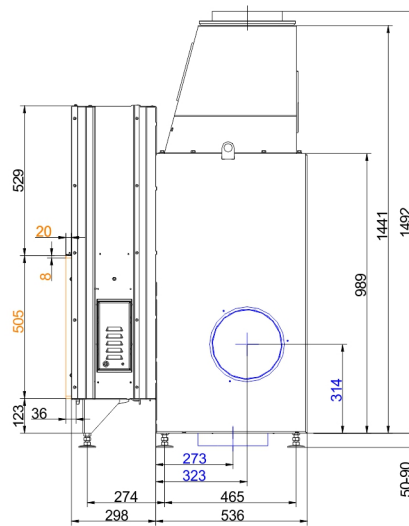
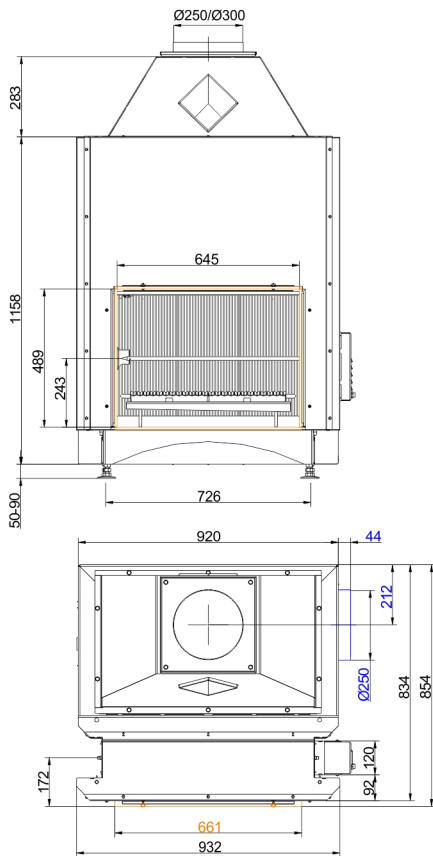


BRUNNER®
made in germany.

Dimension sheets - Urfeuer® 50/66 Küchenkamin

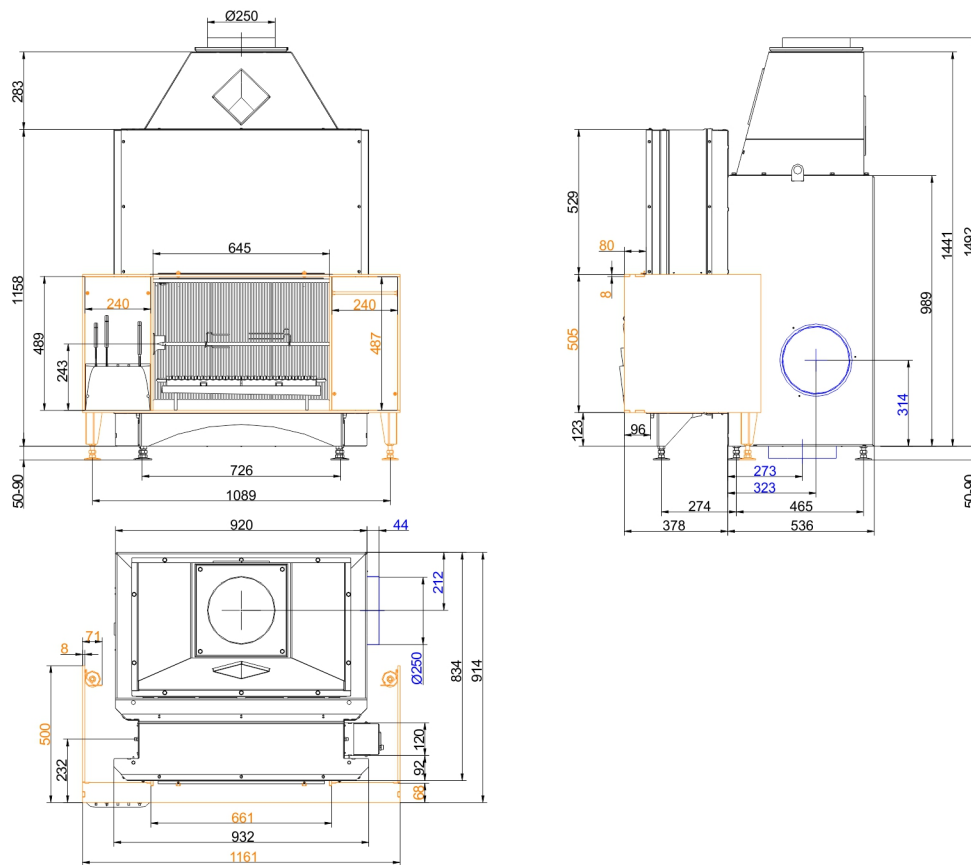


... with mounting frame



... mounting frame

Dimension sheets - Urfeuer® 50/66 Küchenkamin



... with functional niche

We suggest for CAD planing Palette CAD. Permanent updated drawings: www.brunner.de
 Frames / front versions are marked colored.

Planning and installation - Urfeuer® 50/66 Küchenkamin

Tested according to		EN 13229 W
EEI		53.5
Data for functional demonstration		
Flue gas mass flow	g/s	115
Outlet temperature	°C	115
Necessary supply pressure	Pa	6
Total fuel load	kg	2 - 4
Combustion air consumption	m³/h	212
Combustion air connection Ø	mm	250
Cross-section of gratings		
Convection air	cm²	500
Supply air	cm²	500
Min. distances of fireplace without / with convection casing		
to insulation layer	cm	6
to mounting floor	cm	2.5
Thermal insulation without / with air gratings		
Mounting wall	cm	10
Ceiling	cm	14
Brick lining for combustible wall	cm	10
Weight		
Fireplace / combustion chamber	kg	289 / 133 / -

Ulrich Brunner GmbH
Zellhuber Ring 17 - 18
D-84307 Eggenfeldern
Telefonat: +49 / (0)87 21 / 7 71-0
Telefax: +49 / (0)87 21 / 7 71-100
info@brunner.de | www.brunner.de

BRUNNER®
made in germany.