

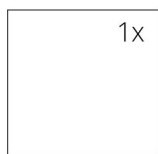
SPECIFICATIONS

Rated thermal input	14 kW
Efficiency	82 %
Smoke flue diameter	200 mm
Min. thrust (under pressure) for rated thermal input	10 Pa
Fuel gas temperature	262 °C
Volume of fuel gas	10,3 g/s
CO emissions in fuel gas (at 13 % O ₂)	0,0985 %
Dust in the fuel gas (at 13 % O ₂)	26 mg/Nm ³
Volume of fuel per hour	4 kg/h
Fuel	wood (beech logs)
Weight	406 kg



LIST OF SPARE PARTS

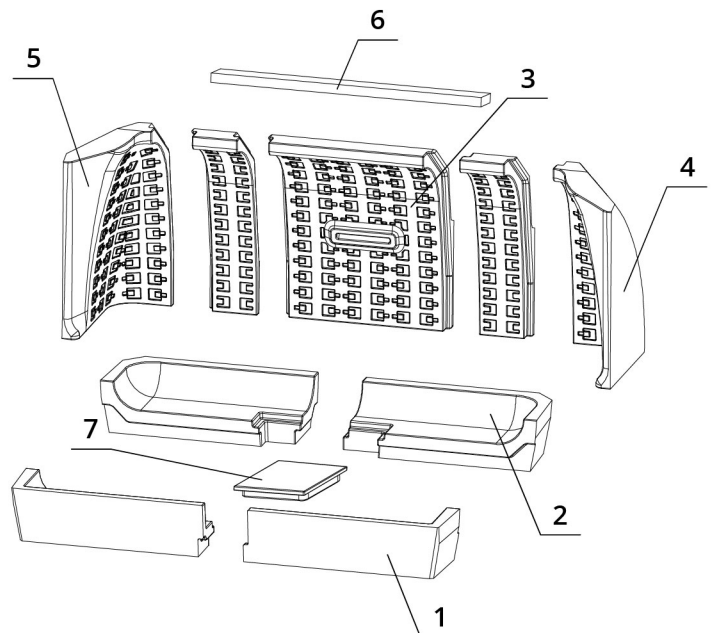
Glass



1300 x 468 mm

Carcon stones

1. Front bottom
2. Back bottom
3. Back
4. Right side
5. Left side
6. Deflector
7. Carcon blend



BEF THERM V 14

BImSchV
Stufe 2

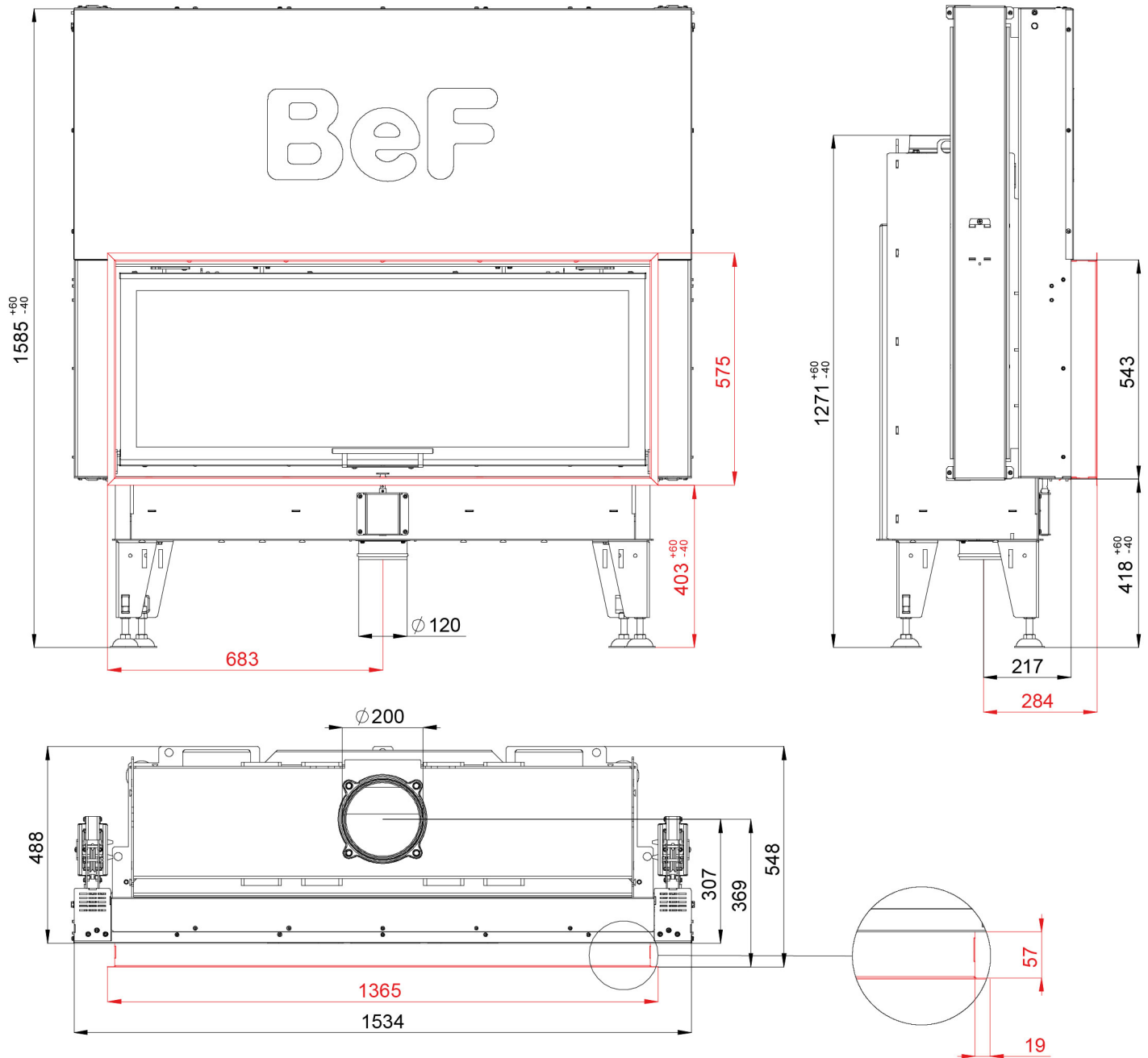
15a
B - VG

ČSN EN
13229

eco
design

www.befhome.com

TECHNICAL DRAWING



BEF THERM V 14

BImSchV
Stufe 2

15a
B-VG

ČSN EN
13229

eco
design